



LOCAL TOUCH. GLOBAL REACH. REAL VALUE.

COMPONENT CATALOG



www.contechmedical.com

USA
401-351-4890
401-421-5072 (Fax)

Inquires
donlebrun@contechmedical.com
fbarrett@contechmedical.com



MEDICAL
DEVICES
ISO 13485:2012
NSAI Certified

WELCOME

To Our Valued Customers,

Our focus over the last three decades has been to provide the **HIGHEST QUALITY** product at a very competitive cost. We have been able to continue this through the use of many **INNOVATIVE PROCESSES**.

To meet our customer's expectation and the needs of an evolving industry, we have combined our **INNOVATIVE** abilities to create a partnership with our customers providing for mutual growth. The **HIGHEST** levels of **QUALITY** and **EFFICIENCY** continue to be the focus of our mission.

Thank you very much for your interest in **CONTECH® MEDICAL's** components. If you have any questions or concerns, please feel free to contact us. Our friendly staff will be more than happy to help you.

TABLE OF CONTENTS

Introduction	2
E-Z LOAD® Series CPS62000 Poly Alloy Blend Tubing	
Other Services	4
Contech® Research and Development System	5
Clips	
2 cavity	6
3 cavity	11
4 cavity	19
5 cavity	22
Angle	23
Side Entry	25
Hub	28
Strap	40
Label	42
Wire Retention	43
Looper	47
Wire Stop	48
Luers	
Tri Lock®, Self Locking	49
Female	50
Single Feed	51
Wings	
Infusion	52
Connectors	
Y-Site	53
Flush Port w/ Tri-Lock	54
Connectors	55
Handle Stops	58
“J” Accessories	
Introducers	60
Straighteners	62
Caps	63

AVAILABLE SERVICES

Development Center Includes:

- SPECIALTY GUIDEWIRE DISPENSER MANUFACTURING
- AIR EVACUATION SEALING FOR POUCHES AND BREATHER BAGS
- PRECISION HAND ASSEMBLY
- ADHESIVE & SOLVENT BONDING
- SPECIALTY MANUFACTURING EQUIPMENT DESIGN AND DEVELOPMENT
- ULTRASONIC WELDING
- COMPLETE ASSEMBLY & PACKAGING
- COMPLETE CONTRACT MANUFACTURING SERVICES
- THERMOFORM TRAY LOADING & SEALING
- TOOL DESIGN AND FABRICATION
- LABEL PRINTING AND BARCODING
- MULTI-LUMEN TUBING
- CO-EXTRUSION
- INJECTION MOLDING /EXTRUSION CAPABILITIES

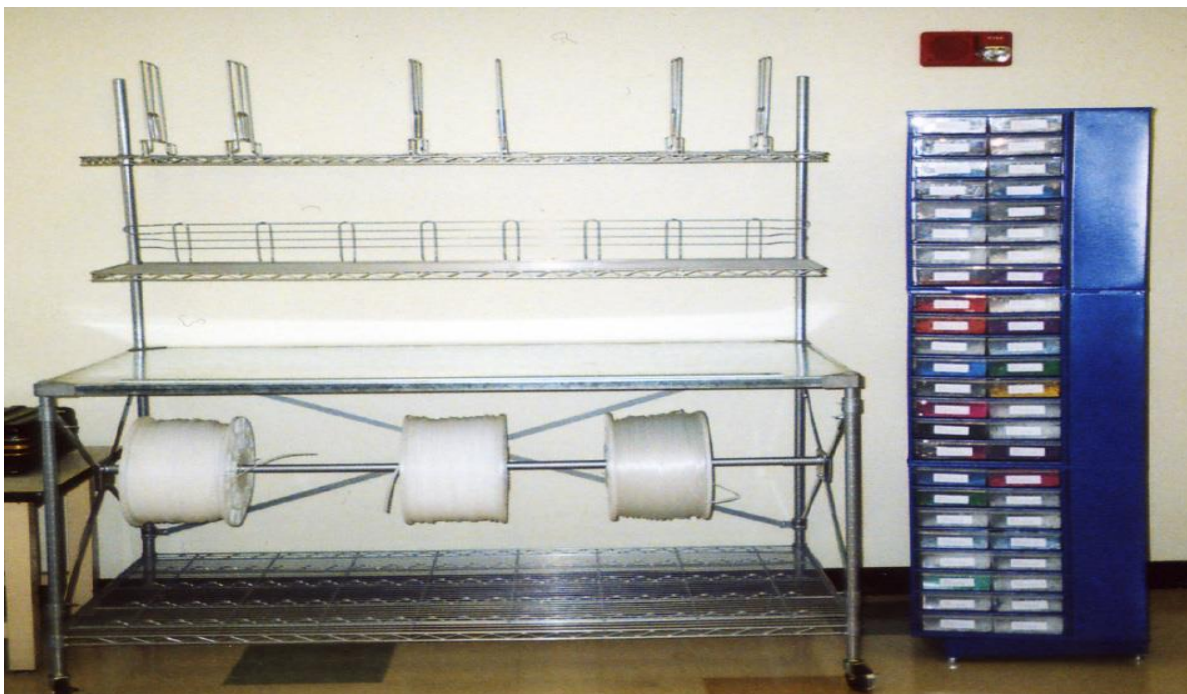


CONTECH® RESEARCH & DEVELOPMENT SYSTEM

Development Center Includes:

- Complete Rotary Parts Storage System 10 cabinets with (16) 5 ¼" x 2 ¼" drawers
2 cabinets with (24) 3 1/8" x 2 ¼" drawers
- Galvanized Work Station w/Tubing Rolls 60"W x 30"D x 34"H with (2) 60"W x 14"D
Approximately 25,000 total components
- Approximately 250 samples 1 Roll HDPE .225"OD X .175"ID (1,000 ft.)
1 Roll HDPE .152"OD X .100"ID (2,500 ft.)
1 Roll Polypropylene .152"OD X .122"ID (2,500 ft.)
- Tubing
- Completely Assembled and Shipped
- All Component Drawers are labeled with Description and CONTECH Part Number.
- Component Re-Order Form Provided with each system

Total Cost (Shipping Not Included): **\$4000.00 each complete**

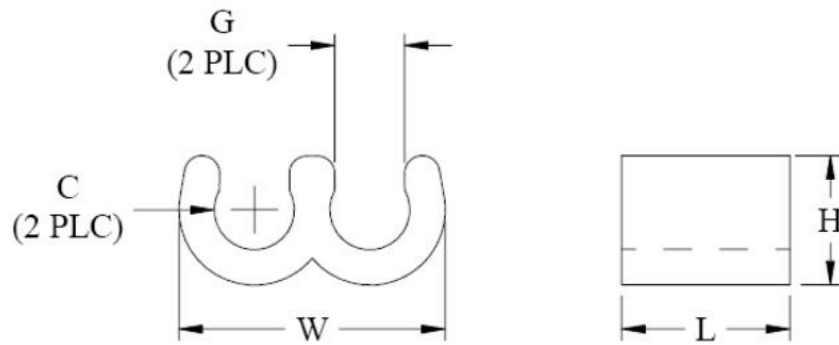


2 CAV CLIP, 50/50 MDPE, FOR .152" OD TUBING

Clip Material is MDPE (Blend): 50% HDPE and 50% LDPE.

Comp #	L	+/-	W	+/-	H	+/-	C	+/-	G	+/-	Color
51002	.300	.020	.495	.010	.230	.010	.143	005	.125	.010	Natural
51008	.300	.020	.495	.010	.230	.010	.143	005	.125	.010	White
51009	.300	.020	.495	.010	.230	.010	.143	005	.125	.010	Orange
51010	.300	.020	.495	.010	.230	.010	.143	005	.125	.010	Purple
51011	.300	.020	.495	.010	.230	.010	.143	005	.125	.010	Red
51027	.300	.020	.495	.010	.230	.010	.143	005	.125	.010	Dk. Blue
51030	.300	.020	.495	.010	.230	.010	.143	005	.125	.010	Green
51034	.500	.020	.495	.010	.230	.010	.143	005	.125	.010	Natural
51035	.300	.020	.495	.010	.230	.010	.143	005	.125	.010	Lt. Blue
51041	.300	.020	.495	.010	.230	.010	.143	005	.125	.010	Aqua
51063	.300	.020	.495	.010	.230	.010	.143	005	.125	.010	Pink
51078	.300	.020	.495	.010	.230	.010	.143	005	.125	.010	Rose
51105	.300	.020	.495	.010	.230	.010	.143	005	.125	.010	Grey
51108	.300	.020	.495	.010	.230	.010	.143	005	.125	.010	Lavender

CLIP DRAWING (not to scale):



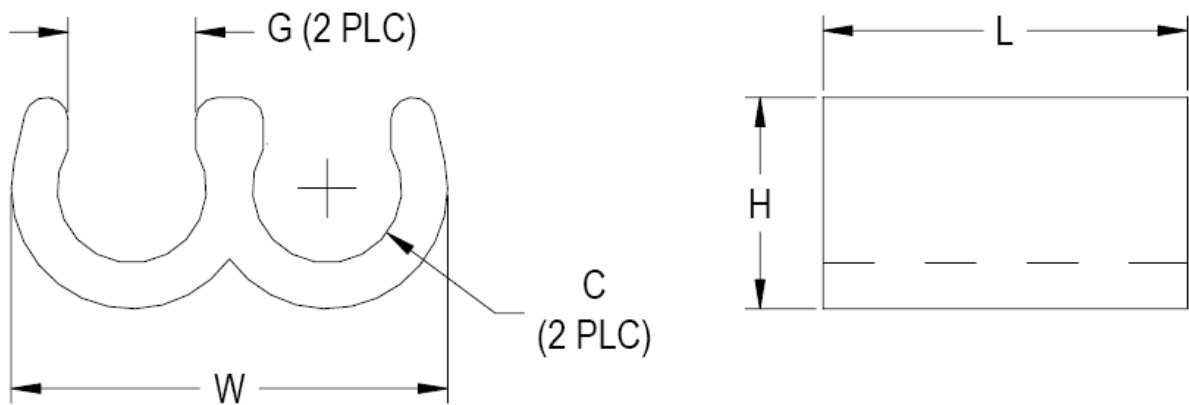
2 CAV CLIP, 50/50 MDPE, FOR .225" OD TUBING

Clip Material is MDPE (Blend): 50% HDPE and 50% LDPE

Comp #	L	+/-	W	+/-	H	+/-	C	+/-	G	+/-	Color
51024	.500	.020	.615	.012	.303	.010	.200	.010	.170	.010	NATURAL
51050	.300	.020	.615	.012	.303	.010	.200	.010	.170	.010	NATURAL
51069	.500	.020	.615	.012	.303	.010	.200	.010	.170	.010	PURPLE
51070	.500	.020	.615	.012	.303	.010	.200	.010	.170	.010	GREEN
51071	.500	.020	.615	.012	.303	.010	.200	.010	.170	.010	YELLOW
51072	.500	.020	.615	.012	.303	.010	.200	.010	.170	.010	PINK
51073	.500	.020	.615	.012	.303	.010	.200	.010	.170	.010	DK. BLUE

CLIP DRAWING:

(Not to scale)



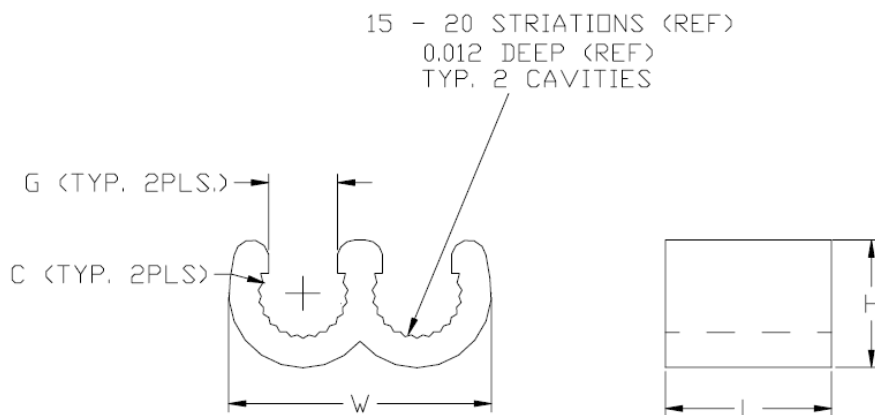
2 CAV GRIDLOCK STRIATED CLIP, 60/40 MDPE, FOR .225" OD TUBE

Clip Material is MDPE (Blend): 60% HDPE and 40% LDPE

Comp #	L	+/-	W	+/-	H	+/-	C	+/-	G	+/-	CC	+/-	Color
51119	.500	.020	.625	.015	.290	.010	.205	.010	.170	.010	.270	.005	Natural
51157	.500	.020	.625	.015	.290	.010	.205	.010	.170	.010	.270	.005	Dark Blue
51260	.240	.020	.625	.015	.290	.010	.205	.010	.170	.010	.270	.005	Natural

CLIP DRAWING (not to scale):

Note: Striations illustrated for representative purposes.



U.S. PATENT NO. 6405414

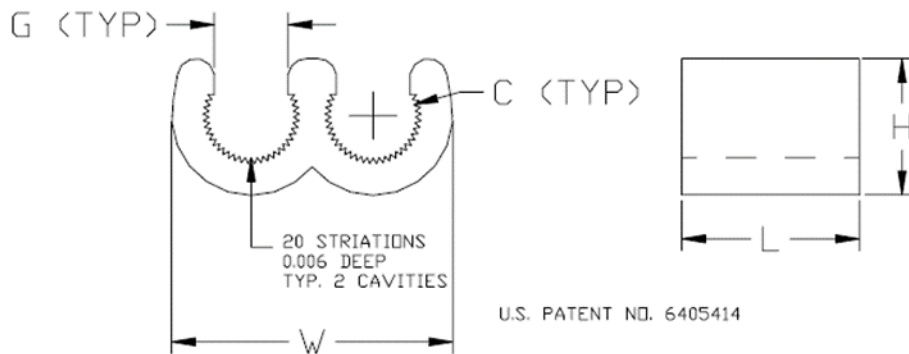
2 CAV GRIDLOCK STRIATED CLIP, 60/40 MDPE, FOR .152" OD TUBE

Clip Material is MDPE (Blend): 60% HDPE and 40% LDPE

Comp #	L ± .020	W ± .020	H ± .010	C + .007 - .005	G + .008 - .005	CC ± .005	Color
51116	.300	.495	.230	.140	.115	.210	Natural
51131	.300	.495	.230	.140	.115	.210	Lt. Blue
51132	.300	.495	.230	.140	.115	.210	Dk. Blue
51133	.300	.495	.230	.140	.115	.210	Purple
51134	.300	.495	.230	.140	.115	.210	White
51135	.300	.495	.230	.140	.115	.210	Green
51136	.300	.495	.230	.140	.115	.210	Orange
51137	.300	.495	.230	.140	.115	.210	Red
51138	.300	.495	.230	.140	.115	.210	Aqua
51139	.300	.495	.230	.140	.115	.210	Black
51154	.500	.495	.230	.140	.115	.210	Natural
51190	.500	.495	.230	.140	.115	.210	Yellow
51195	.300	.495	.230	.140	.115	.210	Grey
51200	.280	.495	.230	.140	.115	.210	Natural
51311	.300	.495	.230	.140	.115	.210	Lavender

CLIP DRAWING: (Not to scale)

Notes: Striations illustrated for representative purposes.



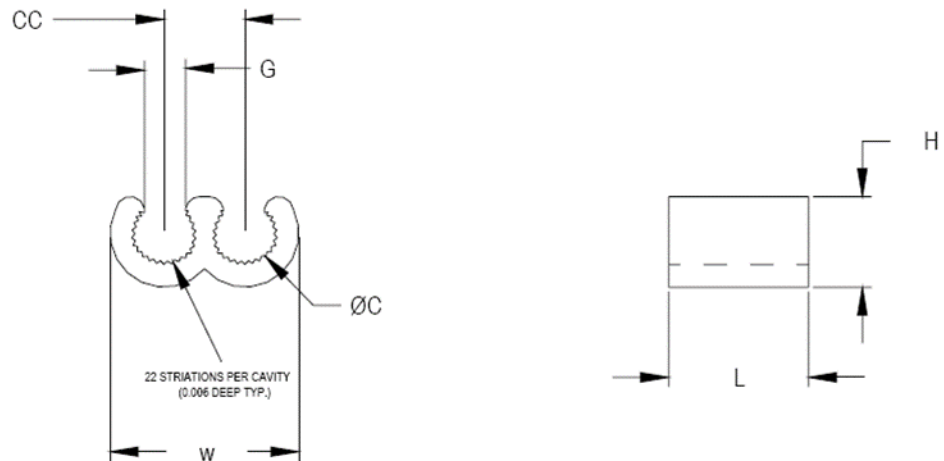
2 CAV GRIDLOCK STRIATED CLIP, 60/40 MDPE, FOR .125" OD TUBE

Clip Material is MDPE (Blend): 60% HDPE and 40% LDPE

Comp #	L	W	H	C	G	CC	Color
	+/- .020	+/- .010	+/- .010	+/- .007	+/- .007	+/- .005	
51244	.300	.405	.205	.113	.088	.174	Natural

CLIP DRAWING (not to scale):

Note: Striations illustrated for representative purposes.



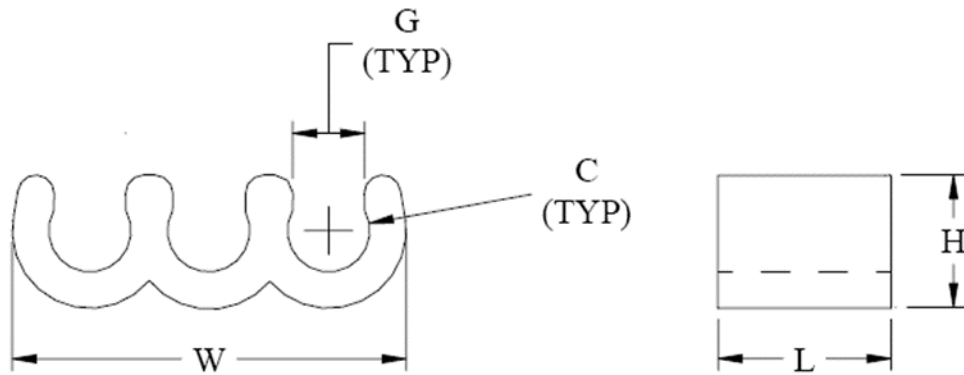
3 CAV NAT'L CLIP, 50/50 MDPE, FOR .152" OD TUBING

Clip Material is MDPE (Blend): 50% HDPE and 50% LDPE.

Comp #	L	+/-	W	+/-	H	+/-	C	+/-	G	+/-	Color
51001	.300	.020	.690	.012	.230	.010	.143	.005	.125	.010	Natural
51004	.300	.020	.690	.012	.230	.010	.143	.005	.125	.010	White
51005	.300	.020	.690	.012	.230	.010	.143	.005	.125	.010	Orange
51006	.300	.020	.690	.012	.230	.010	.143	.005	.125	.010	Purple
51007	.300	.020	.690	.012	.230	.010	.143	.005	.125	.010	Red
51013	.300	.020	.690	.012	.230	.010	.143	.005	.125	.010	Lt. Blue
51014	.300	.020	.690	.012	.230	.010	.143	.005	.125	.010	Dk. Blue
51015	.300	.020	.690	.012	.230	.010	.143	.005	.125	.010	Green
51016	.300	.020	.690	.012	.230	.010	.143	.005	.125	.010	Gray
51017	.300	.020	.690	.012	.230	.010	.143	.005	.125	.010	Yellow
51018	.300	.020	.690	.012	.230	.010	.143	.005	.125	.010	Aqua
51019	.300	.020	.690	.012	.230	.010	.143	.005	.125	.010	Gold
51020	.300	.020	.690	.012	.230	.010	.143	.005	.125	.010	Pink
51022	.300	.020	.690	.012	.230	.010	.143	.005	.125	.010	Black
51025	.500	.020	.690	.012	.230	.010	.143	.005	.125	.010	Pink
51028	.300	.020	.690	.012	.230	.010	.143	.005	.125	.010	Rose
51033	.500	.020	.690	.012	.230	.010	.143	.005	.125	.010	Natural
51107	.300	.020	.690	.012	.230	.010	.143	.005	.125	.010	Lavender
51184	.280	.020	.690	.012	.230	.010	.143	.005	.125	.010	Natural

CLIP DRAWING:

(Not to scale)



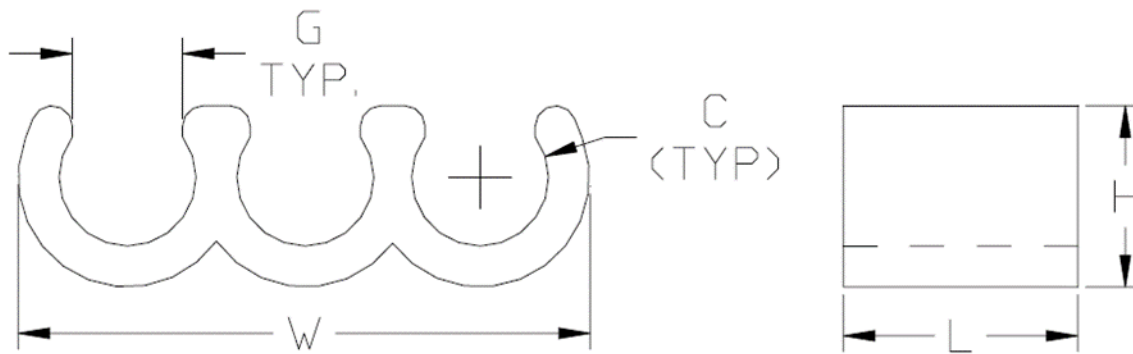
3 CAV NAT'L CLIP, 50/50 MDPE, FOR .180" OD TUBING

Material is MDPE (Blend): 50% HDPE and 50% LDPE

Comp #	L	+/-	W	+/-	H	+/-	C	+/-	G	+/-	Color
51046	.298	.020	.729	.015	.230	+0.015 -0.010	.174	.005	.140	+0.015 -0.010	Natural

CLIP DRAWING:

(Not to scale)



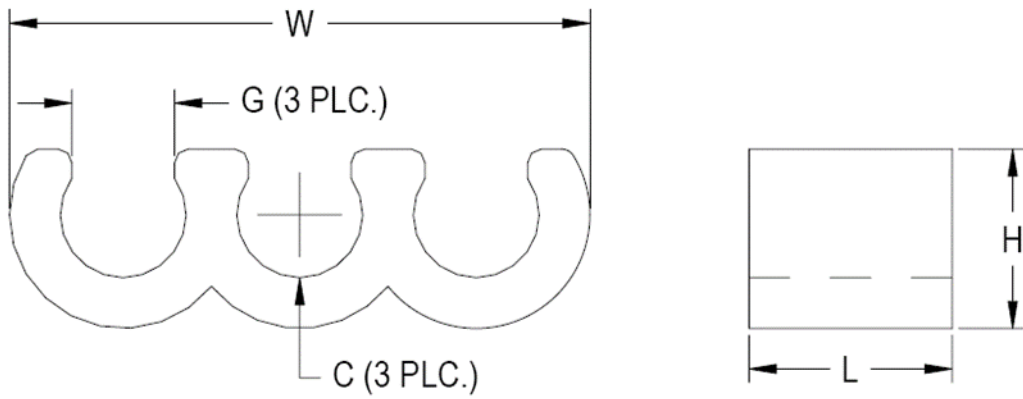
3 CAV CLIP, HDPE, FOR .197" OD TUBING

Clip Material is HDPE

COMP #	L	+/-	W	+/-	H	+/-	C	+/-	G	+/-	Color
51061	.300	.020	.861	.020	.275	.015	.186	010	.155	.015	White
51172	.300	.020	.861	.020	.275	.015	.186	010	.155	.015	Natural

CLIP DRAWING:

(Not to scale)

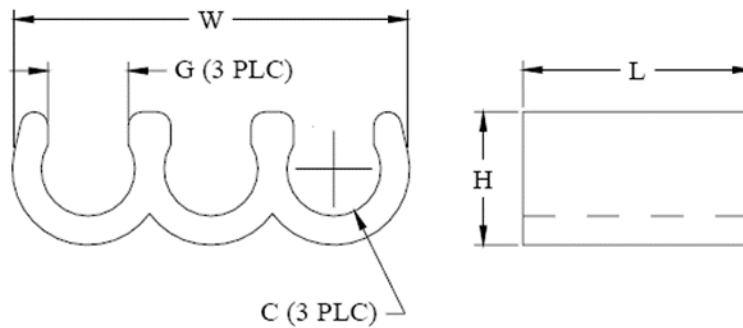


3 CAV CLIP, FOR .225" OD TUBING

Comp #	L	+/-	W	+/-	H	+/-	C	+/-	G	+/-	Color	Material
51003	.500	.020	.895	.015	.290	.010	.205	.010	.175	.010	Natural	MDPE
51026	.500	.020	.895	.015	.290	.010	.205	.010	.175	.010	Purple	MDPE
51038	.300	.020	.895	.015	.290	.010	.205	.010	.175	.010	Natural	MDPE
51074	.500	.020	.895	.015	.290	.010	.205	.010	.175	.010	Green	MDPE
51075	.500	.020	.895	.015	.290	.010	.205	.010	.175	.010	Yellow	MDPE
51076	.500	.020	.895	.015	.290	.010	.205	.010	.175	.010	Pink	MDPE
51077	.500	.020	.895	.015	.290	.010	.205	.010	.175	.010	Dk. Blue	MDPE
51079	.500	.020	.895	.015	.290	.010	.205	.010	.175	.010	Lt. Blue	MDPE
51080	.500	.020	.895	.015	.290	.010	.205	.010	.175	.010	Red	MDPE
51081	.500	.020	.895	.015	.290	.010	.205	.010	.175	.010	White	MDPE
51082	.500	.020	.895	.015	.290	.010	.205	.010	.175	.010	Black	MDPE
51083	.500	.020	.895	.015	.290	.010	.205	.010	.175	.010	Orange	MDPE
51245	.500	.020	.895	.015	.290	.010	.205	.010	.175	.010	Natural	HDPE

CLIP DRAWING:

(Not to scale)



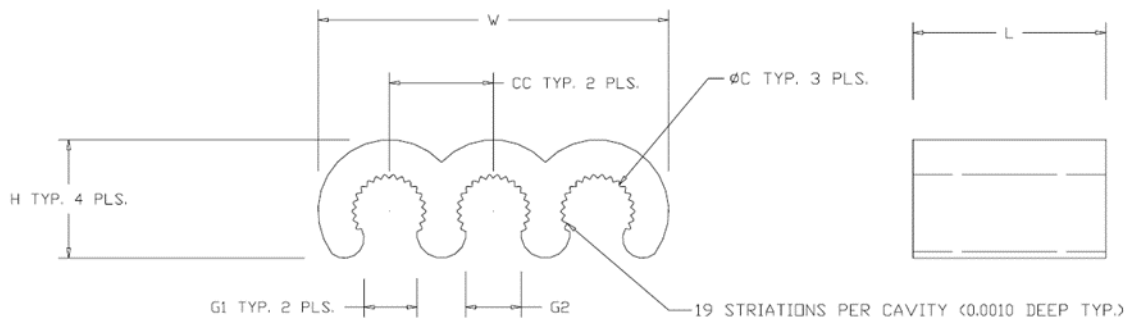
3 CAV GRIDLOCK STRIATED CLIP, 60/40 MDPE, FOR .110" OD TUBE

Clip Material is MDPE (Blend): 60% HDPE and 40% LDPE

Comp #	L +/- .020	W +/- .010	H +/- .010	C +/- .005	G1 +/- .008	G2 +/- .008	CC +/- .005	Color
51179	.300	.545	.184	.102	.084	.090	.170	Natural
51203	.300	.545	.184	.102	.084	.090	.170	TR Blue

CLIP DRAWING (not to scale):

Note: Striations illustrated for representative purposes.



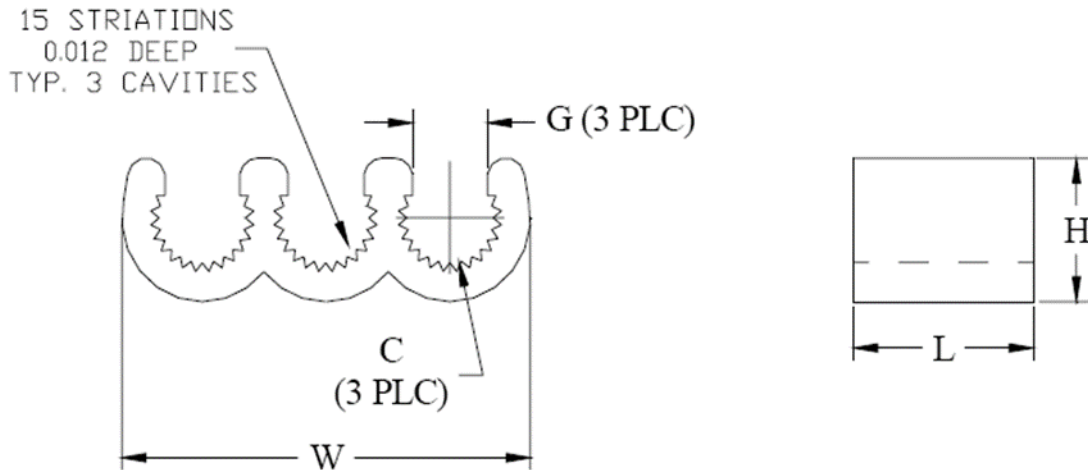
3 CAV GRIDLOCK STRIATED CLIP, 60/40 MDPE, FOR .225" OD TUBE

Clip Material is MDPE (Blend): 60% HDPE and 40% LDPE

Comp #	L	+/-	W	+/-	H	+/-	C	+/-	G	+/-	Color
51118	.500	.020	.915	+0.010/ .015	.295	.015	.205	.010	.175	.010	Natural
51153	.500	.020	.915	+0.010/ .015	.295	.015	.205	.010	.175	.010	Dark Blue
51164	.500	.020	.915	+0.010/ .015	.295	.015	.205	.010	.175	.010	Natural
51169	.850	.020	.915	+0.010/ .015	.295	.015	.205	.010	.175	.010	Natural
51188	.250	.020	.915	+0.010/ .015	.295	.015	.205	.010	.175	.010	Natural
51235	.250	.020	.915	+0.010/ .015	.295	.015	.205	.010	.175	.010	Dark Blue

CLIP DRAWING (not to scale):

Note: Striations illustrated for representative purposes.



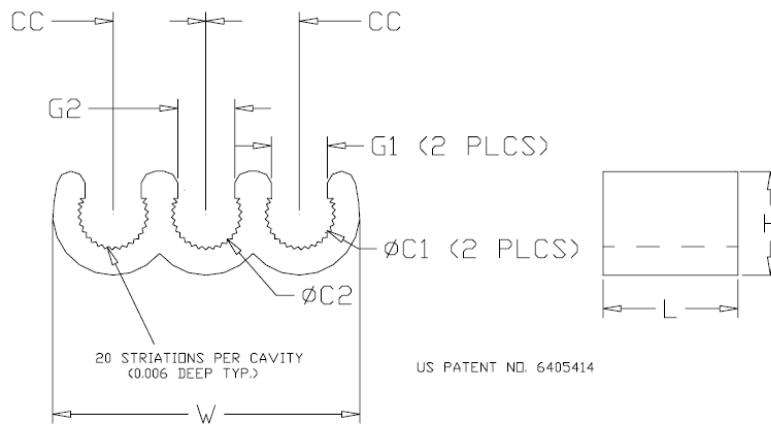
3 CAV GRIDLOCK STRIATED CLIP, 60/40 MDPE, FOR.152" OD TUBE

Clip Material is MDPE (Blend): 60% HDPE and 40% LDPE

Comp #	L +/- .020	W +/- .010	H +/- .010	C1 +/- .007	G1 +/- .007	C2 +/- .007	G2 +/- .007	CC +/- .005	Color
51115	.300	.690	.230	.140	.115	.143	.121	.210	Natural
51120	.300	.690	.230	.140	.115	.143	.121	.210	Lt. Blue
51121	.300	.690	.230	.140	.115	.143	.121	.210	Dk. Blue
51122	.300	.690	.230	.140	.115	.143	.121	.210	Purple
51123	.300	.690	.230	.140	.115	.143	.121	.210	White
51124	.300	.690	.230	.140	.115	.143	.121	.210	Red
51125	.300	.690	.230	.140	.115	.143	.121	.210	Aqua
51126	.300	.690	.230	.140	.115	.143	.121	.210	Black
51127	.300	.690	.230	.140	.115	.143	.121	.210	Gray
51128	.300	.690	.230	.140	.115	.143	.121	.210	Yellow
51129	.300	.690	.230	.140	.115	.143	.121	.210	Orange
51130	.300	.690	.230	.140	.115	.143	.121	.210	Green
51148	.300	.690	.230	.140	.115	.143	.121	.210	Rose
51149	.500	.690	.230	.140	.115	.143	.121	.210	Natural
51150	.300	.690	.230	.140	.115	.143	.121	.210	Lavender
51158	.300	.690	.230	.140	.115	.143	.121	.210	Natural
51183	.500	.690	.230	.140	.115	.143	.121	.210	Red
51256	.750	.690	.230	.140	.115	.143	.121	.210	Natural

CLIP DRAWING (not to scale):

Note: Striations illustrated for representative purposes.



NOTES:

C1 AND G1 ARE (2) OUTER CAVITIES,
C2 AND G2 IS INNER CAVITY.

3 CAV INJECTION MOLDED GRIDLOCK STRIATED CLIP, 60/40 MDPE, .225"OD

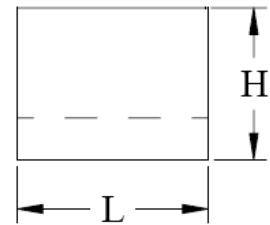
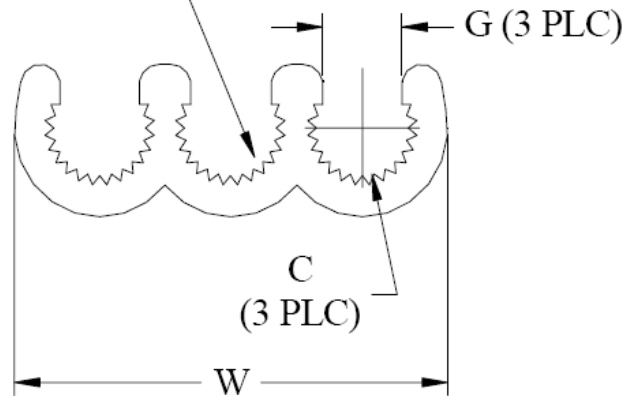
Clip Material is MDPE (Blend): 60% HDPE and 40% LDPE

Comp #	L	+/-	W	+/-	H	+/-	C	+/-	G	+/-
51220	.500	.020	.897	.010	.300	.010	.205	.010	.170	+0.010/ -.015

CLIP DRAWING (not to scale):

Note: Striations illustrated for representative purposes.

15 STRIATIONS
0.012 DEEP
TYP. 3 CAVITIES



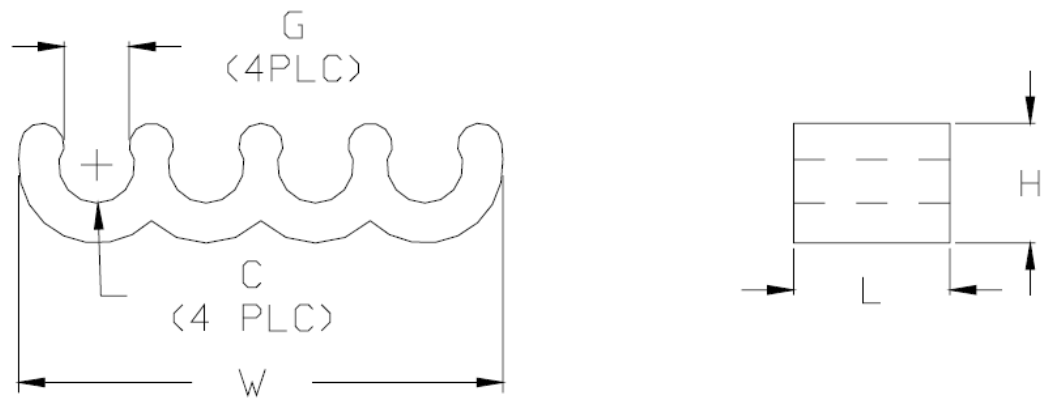
4 CAV NAT'L CLIP, 50/50 MDPE, FOR .152" OD TUBING

Clip Material is MDPE (Blend): 50% HDPE and 50% LDPE.

COMP #	L	+/-	W	+/-	H	+/-	C	+/-	G	+/-	Color
51036	.300	.020	.910	.020	.230	+0.015/-.010	.143	.005	.125	.010	Lt. Blue
51043	.300	.020	.910	.020	.230	+0.015/-.010	.143	.005	.125	.010	Natural
51091	.300	.020	.910	.020	.230	+0.015/-.010	.143	.005	.125	.010	White
51099	.300	.020	.910	.020	.230	+0.015/-.010	.143	.005	.125	.010	Green
51100	.300	.020	.910	.020	.230	+0.015/-.010	.143	.005	.125	.010	Dk. Blue
51223	.300	.020	.910	.020	.230	+0.015/-.010	.143	.005	.125	.010	Natural

CLIP DRAWING:

(Not to scale)



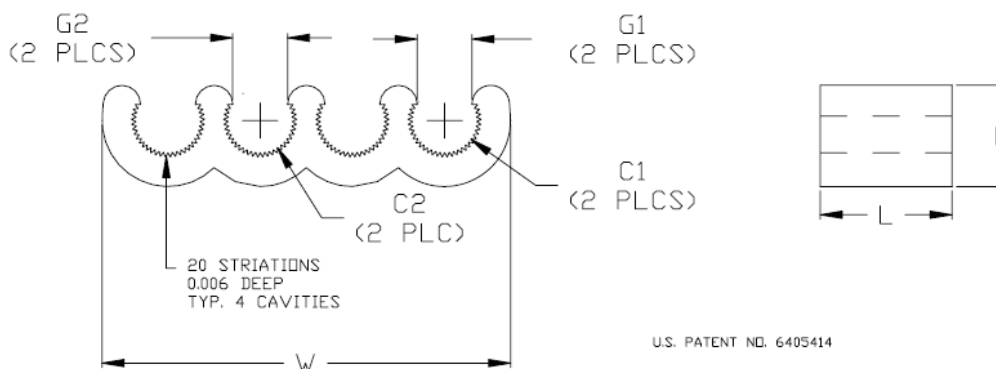
4 CAV GRIDLOCK STRIATED CLIP, 60/40 MDPE, FOR .152" OD TUBE

Clip Material is MDPE (Blend): 60% HDPE and 40% LDPE.

Comp #	L +/- .020	W +/- .020	H +.015 -.010	C1 +.008 -.005	G1 +.008 -.005	C2 +/- .005	G2 +/- .008	CC +/- .005	Color
51117	.300	.910	.230	.140	.115	.143	.121	.210	Natural
51140	.300	.910	.230	.140	.115	.143	.121	.210	Lt. Blue
51141	.300	.910	.230	.140	.115	.143	.121	.210	Dk. Blue
51142	.300	.910	.230	.140	.115	.143	.121	.210	Purple
51143	.300	.910	.230 <td .140	.115	.143	.121	.210	White	
51144	.300	.910	.230	.140	.115	.143	.121	.210	Red
51145	.300	.910	.230	.140	.115	.143	.121	.210	Aqua
51146	.300	.910	.230	.140	.115	.143	.121	.210	Black
51147	.300	.910	.230	.140	.115	.143	.121	.210	Green
51160	.300	.910	.230	.140	.115	.143	.121	.210	Natural
51189	.750	.910	.230	.140	.115	.143	.121	.210	Natural
51204	.300	.910	.230	.140	.115	.143	.121	.210	Gray

CLIP DRAWING (not to scale):

Note: Striations illustrated for representative purposes.

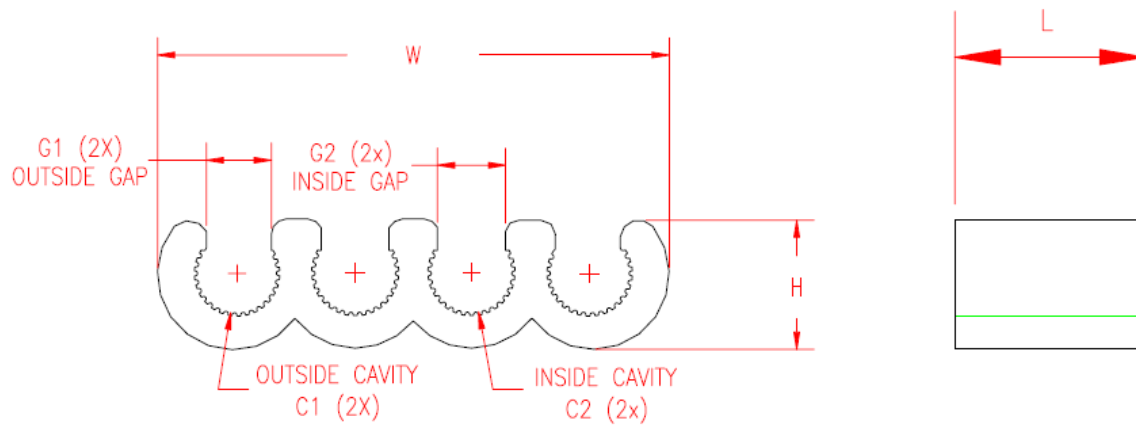


4 CAV GRIDLOCK STRIATED CLIP, 60/40 MDPE, FOR .167" OD TUBE

Clip Material is MDPE (Blend): 60% HDPE and 40% LDPE.

Comp #	L	W	H	G1	G2	C1	C2	Color
	+/- .020	+/- .020	+ .015, - .010	+ .008, - .005	+/- .008	+ .008, - .005	+/- .005	
51253	.375	.995	.248	.127	.134	.155	.158	Natural

CLIP DRAWING (not to scale):

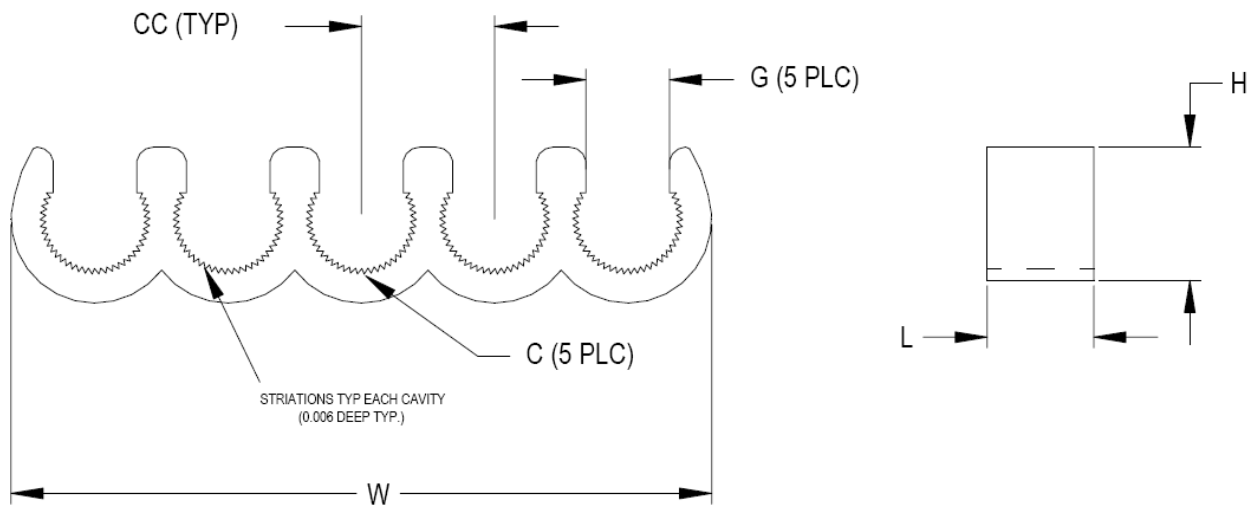


5 CAV GRIDLOCK STRIATED CLIP, 60/40 MDPE, FOR .205" OD TUBE

Clip Material is MDPE (Blend): 60% HDPE and 40% LDPE.

Comp #	W +/- .020"	L +/- .010"	C +/- .005"	G +/- .005"	H +/- .01"	CC (REF)	Color
51254	1.325"	.200	.185"	.157"	.250	.252"	Blue

CLIP DRAWING (not to scale):

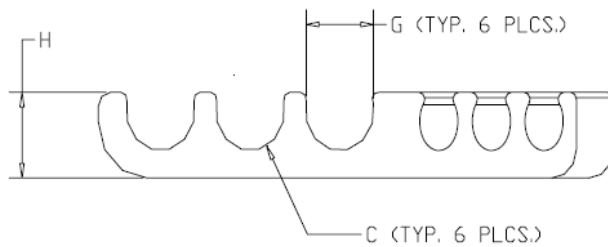


6 CAV WHITE ANGLE CLIP, HDPE, FOR .152" & .197" OD TUBE

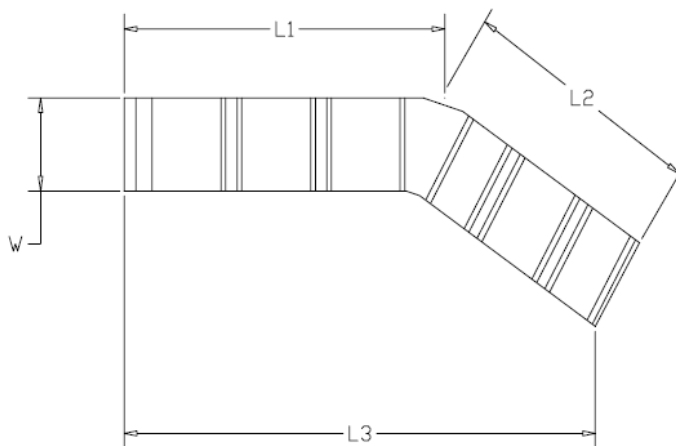
Clip Material is HDPE.

Comp #	Tube OD	L1	+/-	L2	+/-	L3	+/-	W	+/-	H	+/-	C	+/-	G	+/-	Color
51066	.197"	.975	Ref	.975	Ref	N/A	---	.315	.005	.250	.010	.185	.003	N/A	---	White
51168	.152"	N/A	---	N/A	---	1.732	.010	.315	.010	.250	.010	.144	.010	.133	.010	White
51273	.152"	N/A	---	N/A	---	1.519	Ref	.315	.010	.212	.010	.140	.010	.121	.010	Natural

Illustration (not to scale):



FRONT VIEW



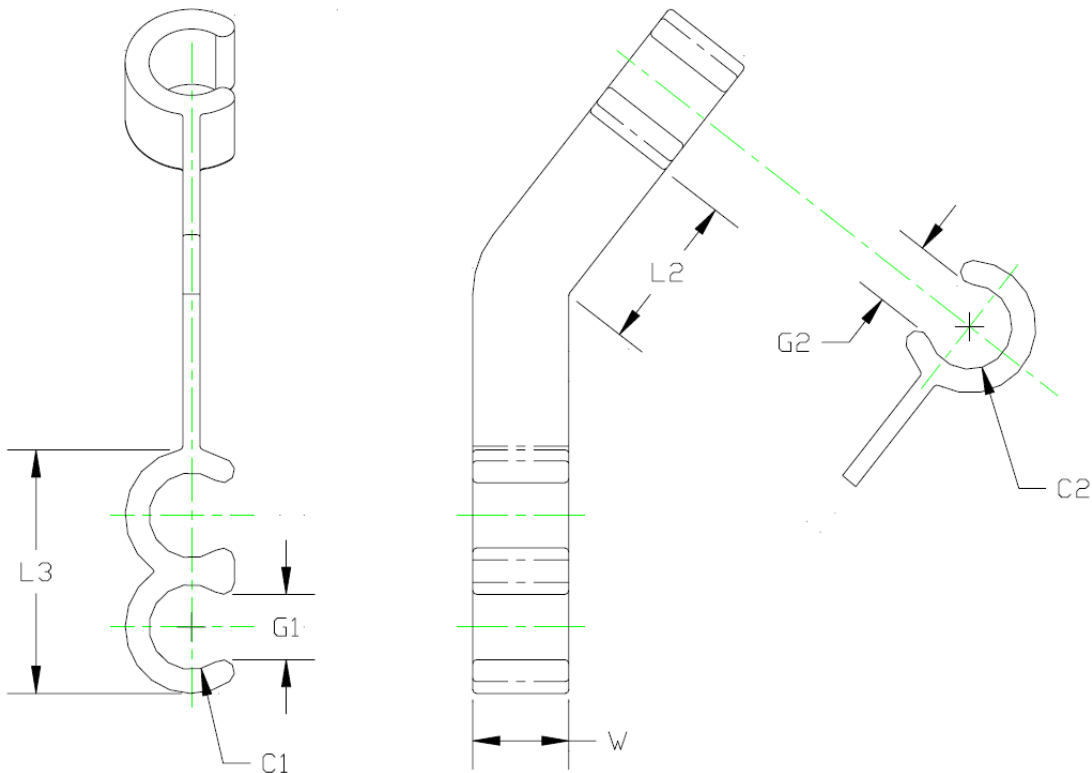
TOP VIEW

3 CAV ANGLE CLIP, POLYPROPYLENE, FOR .225" OD TUBE

Clip Material is Polypropylene

Comp #	L1	+/-	L2	+/-	L3	+/-	W	+/-	G1	+/-	G2	+/-	C1	+/-	C2	+/-	Color
51174	.500	Ref	.500	Ref	.600	.020	.300	.020	.140	.010	.190	.010	.200	.010	.240	.010	White
51241	.500	Ref	.500	Ref	.600	.020	.300	.020	.140	.010	.190	.010	.200	.010	.240	.010	Natural

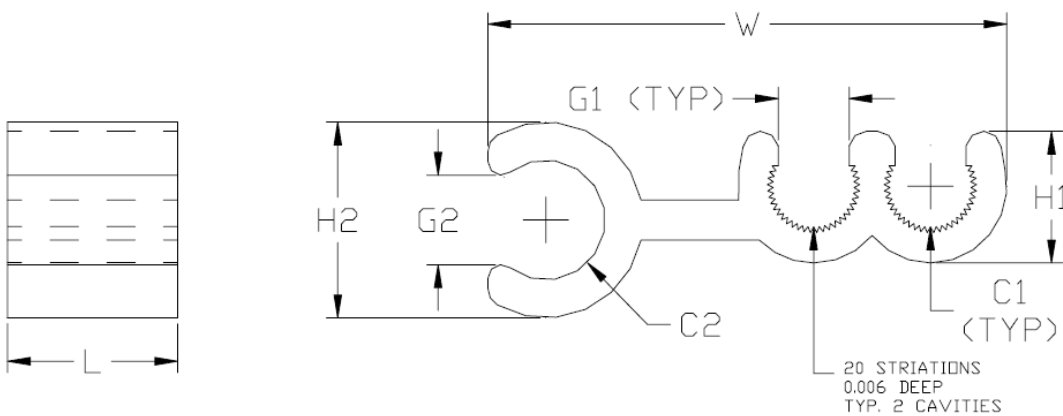
CLIP DRAWING: (Not to scale)
Injection Molded



2 CAV WHITE GRIDLOCK SIDE ENTRY CLIP, .27"L, HDPE, FOR .197" OD TUBE

Clip Material is HDPE

COMP #	L +/- .020	W +/- .030	H1 +/- .010	H2 +/- .015	C1 +/- .005	C2 +/- .007	G1 +/- .010	G2 +/- .010	Color
51206	.270	.936	.265	.360	.186	.210	.152	.157	White

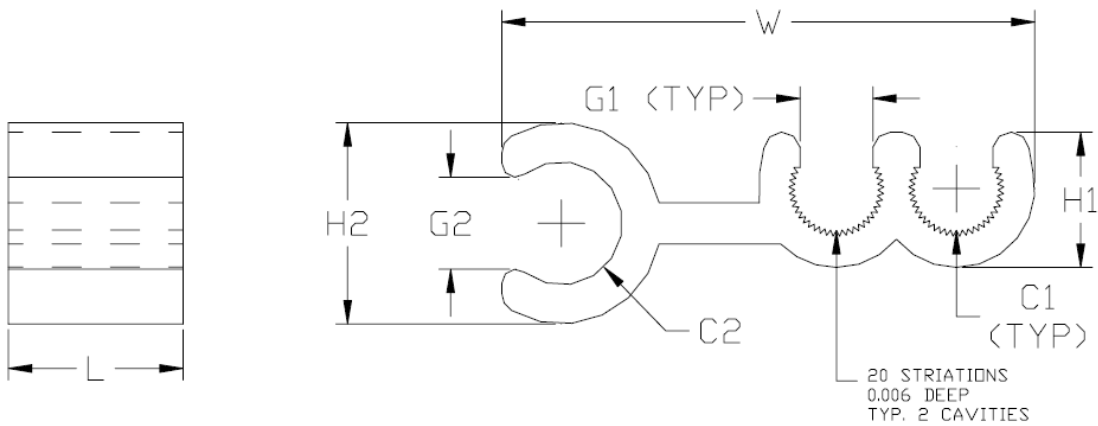


U.S. PATENT NO. 6405414

2 CAV WHITE GRIDLOCK STRIATED SIDE ENTRY CLIP, .27"L,HDPE,FOR .152" OD TUBE

Clip Material is HDPE

COMP #	L +/- .020	W +/- .020	H1 +/- .010	H2 +/- .015	C1 +/- .005	C2 +/- .005	G1 +/- .010	G2 +/- .010	Color
51205	.270	.915	.230	.343	.143	.210	.125	.157	White

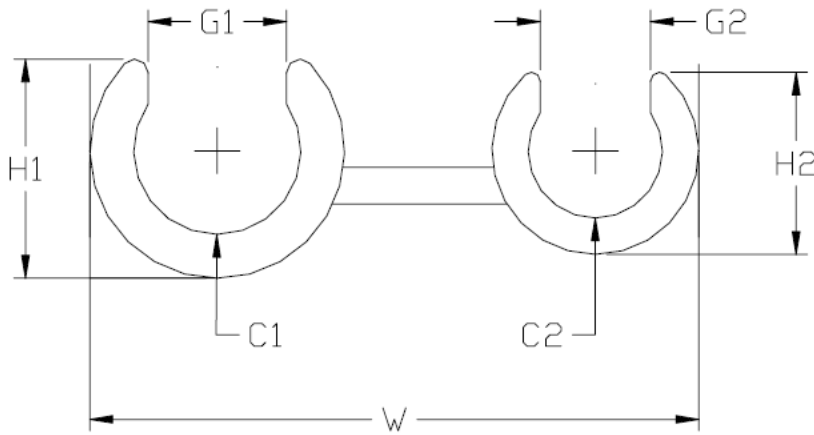
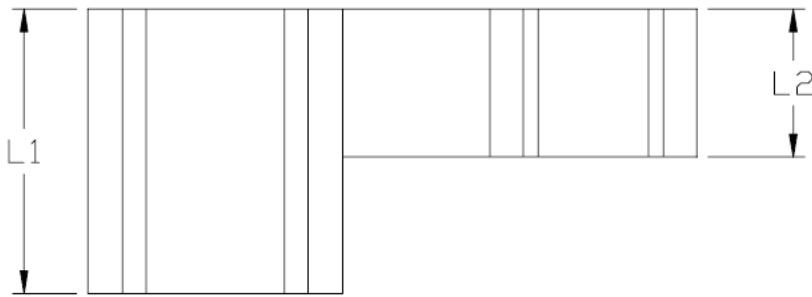


U.S. PATENT NO. 6405414

2 CAV STRAP CLIP FOR .225"/.315" OD TUBE, HDPE, NATURAL

Clip Material is HDPE.

COMP #	L1 +/- .020	L2 +/- .020	W +/- .05	H1 +/- .020	H2 +/- .020	C1 +/- .010	G1 +/- .010	C2 +/- .010	G2 +/- .010
51221	.500	.260	1.08	.385	.320	.294	.243	.236	.194



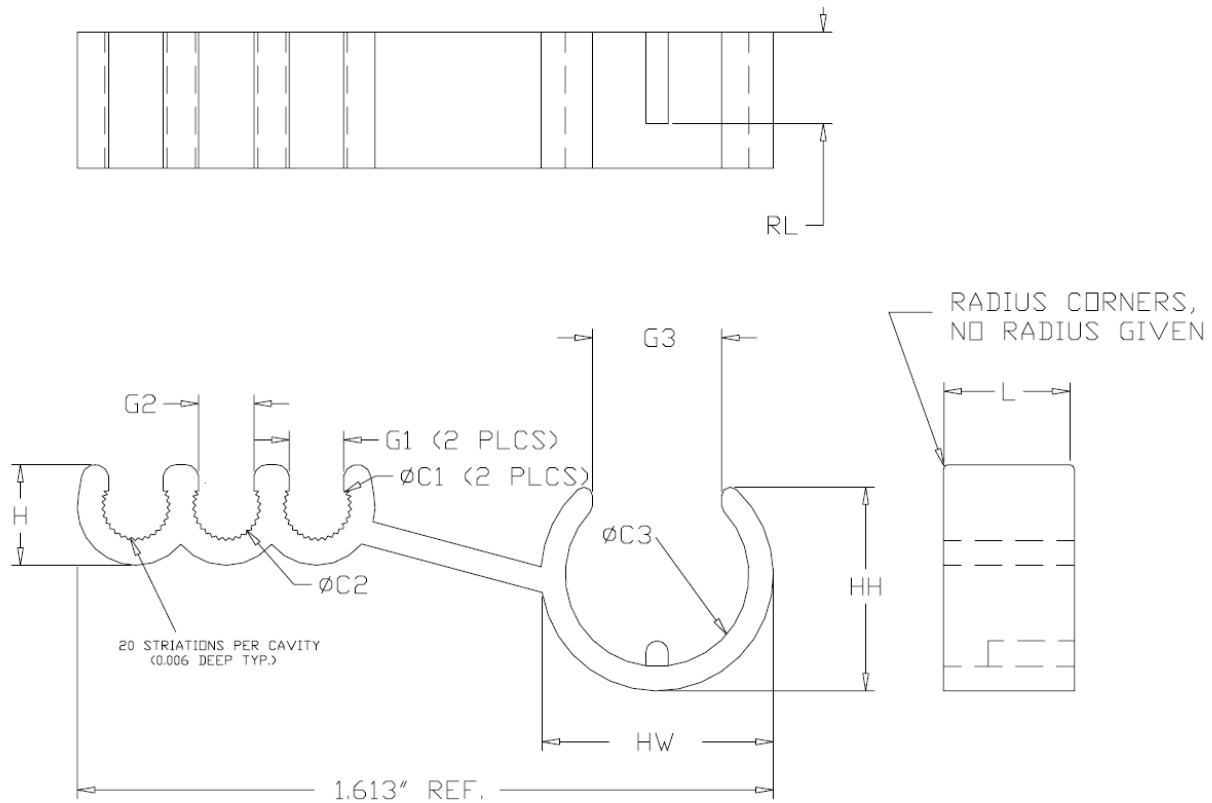
3 CAV GRIDLOCK STR. BIOPSY HANDLE CLIP W/ NON-GRDLK EXT HUB, NAT'L PP

Clip Material is Polypropylene.

Comp	L	H	C1	G1	C2	G2	C3	G3	HH	RL	Color
51224	+/- .005 .307	+/- .008 .230	+/- .008 .140	+/- .008 .115	+/- .008 .143	+/- .008 .121	+/- .008 .395	+/- .008 .260	+/- .008 .473	+/- .005 .205	Natural

CLIP DRAWING (not to scale):

Note: Striations illustrated for reference only.



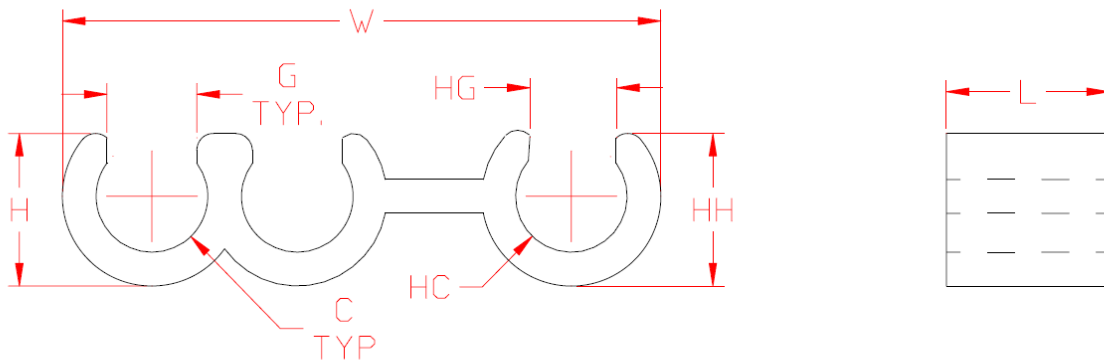
2 CAV NAT'L CLIP W/ EXTENDED HUB, FOR .225" OD TUBING

Clip Material is MDPE (Blend): 50% HDPE and 50% LDPE (except 51114).
51114 is made of 100% HDPE.

COMP#	Rev	L	+/-	W	+/-	H	+/-	C	+/-	G	+/-	HC	+/-	HG	+/-	HH	+/-	Color
51031	---	.300	.020	1.137	.020	.290	.010	.200	.010	.170	.010	.215	.010	.160	.010	.300	.010	Natural
51088	---	.500	.030	1.137	.020	.290	.010	.200	.010	.170	.010	.215	.010	.160	.010	.300	.010	Natural
51090	---	.300	.020	1.035	.020	.280	.010	.205	.005	.175	.010	.143	.010	.125	.010	.215	.010	Natural
51109	---	.240	.020	1.137	.020	.290	.010	.200	.010	.170	.010	.215	.010	.160	.010	.300	.010	Natural
51114	---	.300	.020	1.155	.020	.300	.010	.200	.010	.150	.010	.215	.010	.160	.010	.300	.010	Natural

CLIP DRAWING:

(Not to scale)

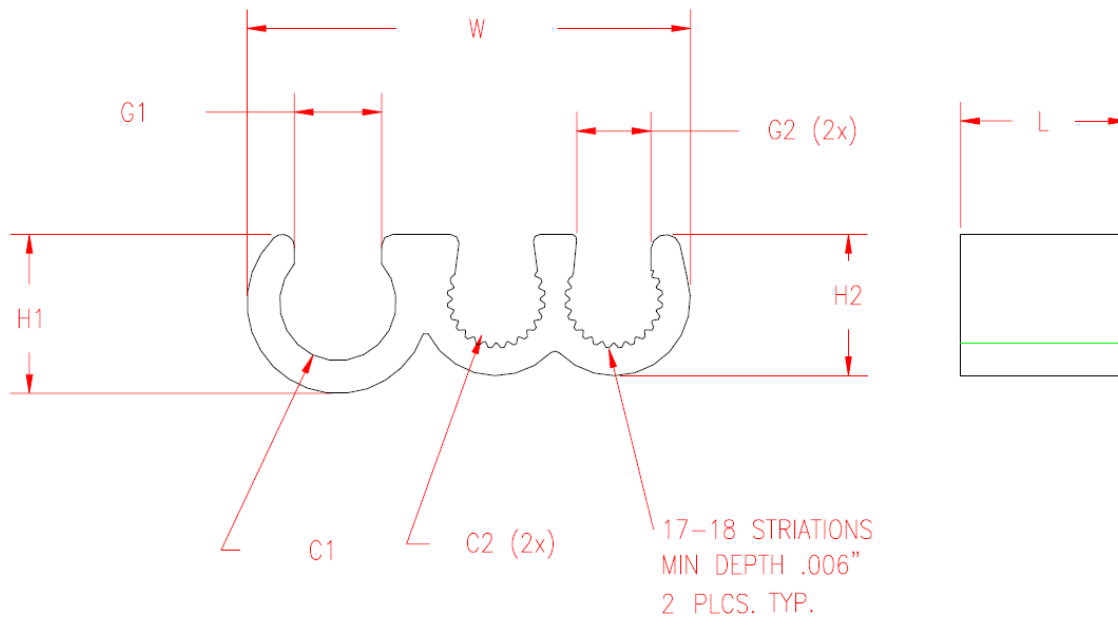


2 CAV NAT'L GRIDLOCK CLIP,W/ HUB, MDPE, .3"L W/O EXTENSION FOR .167"OD

Clip Material is MDPE (Blend): 60% HDPE and 40% LDPE.

Comp #	L	W	H1	C1	G1	H2	C2	G2	Color
51252	+/- .020	+/- .020	+/- .015	+/- .005	+/- .010	+/- .010	+/- .005	+/- .010	Natural

CLIP DRAWING (not to scale):



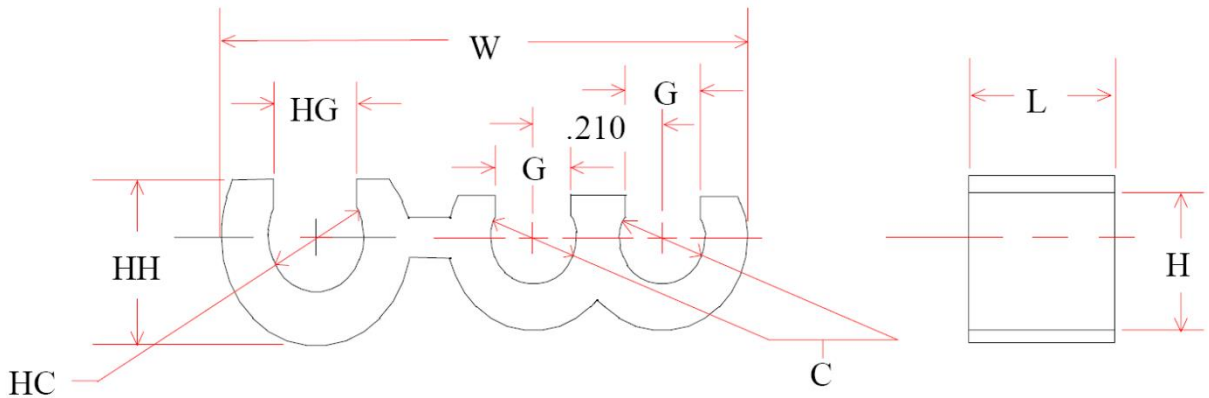
2 CAV CLIP W/EXTENDED HUB, 50/50 MDPE, FOR .152" OD TUBE

Clip Material is MDPE (Blend): 50% HDPE and 50% LDPE.

Comp #	L	+/-	W	+/-	H	+/-	C	+/-	G	+/-	HC	+/-	HG	+/-	HH	+/-	Color
51012	.240	.020	.970	.015	.230	.010	.143	.005	.130	+0.005 -.010	.215	.010	.160	.010	.313	.010	Natural
51021	.170	.020	.970	.015	.230	.010	.143	.005	.130	+0.005 -.010	.215	.010	.160	.010	.313	.010	Natural
51087	.300	.020	.915	.030	.230	.010	.143	.005	.125	.010	.110	.010	.095	.010	.198	.010	Natural
51092	.300	.020	.915	.030	.230	.010	.143	.005	.125	.010	.092	.005	.080	.010	.183	.010	Natural

CLIP DRAWING:

(Not to scale)



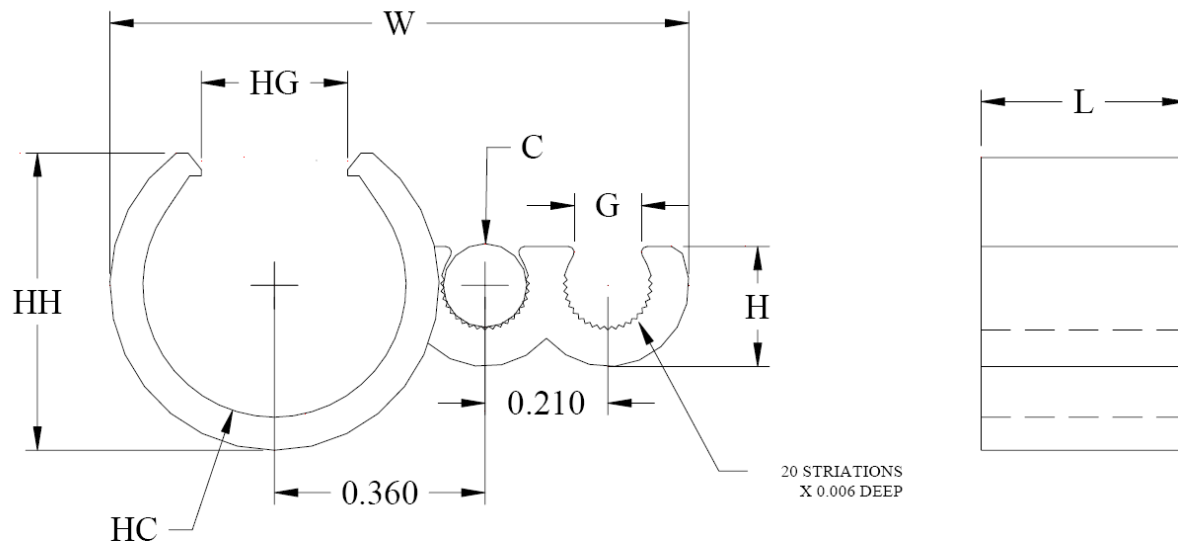
2 CAV NATURAL GRIDLOCK CLIP W/ EXTENDED HUB, .350" L, 100% HDPE

Clip Material is HDPE.

COMP #	L ± .020	W ± .020	H ± .020	C ± .010	G + .010 - .005	HC ± .020	HG ± .020	HH ± .020
51208	.350	.990	.205	.143	.115	.450	.250	.500

CLIP DRAWING:

(Not to scale)



U.S. PATENT NO. 6405414

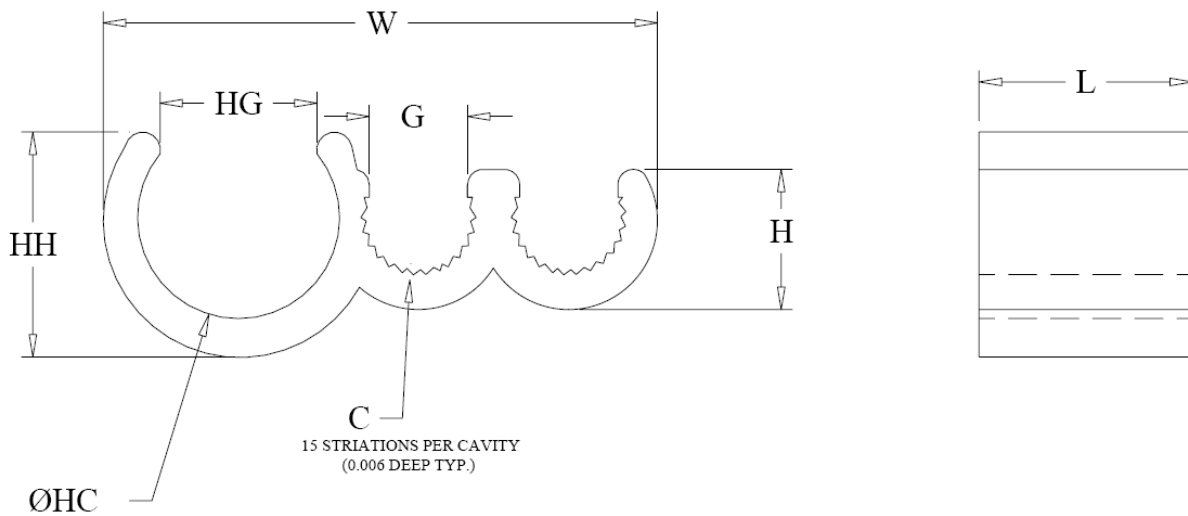
3 CAV ERGO HUB CLIP, GRIDLOCK FOR .225"OD TUBE, NON-GRDLK .360"ID HUB, MDPE

Clip Material is MDPE (Blend): 60% HDPE and 40% LDPE.

Comp #	L	W	H	C (2 pls.)	G (2 pls.)	HC	HG	HH	Color
	+/- .020	+/- .010	+/- .015	+/- .010	+/- .010	+/- .010	+/- .010	+/- .015	
51247	.380	1.020	.295	.205	.175	.360	.280	.401	Natural

CLIP DRAWING (not to scale):

Note: Striations shown for reference only.



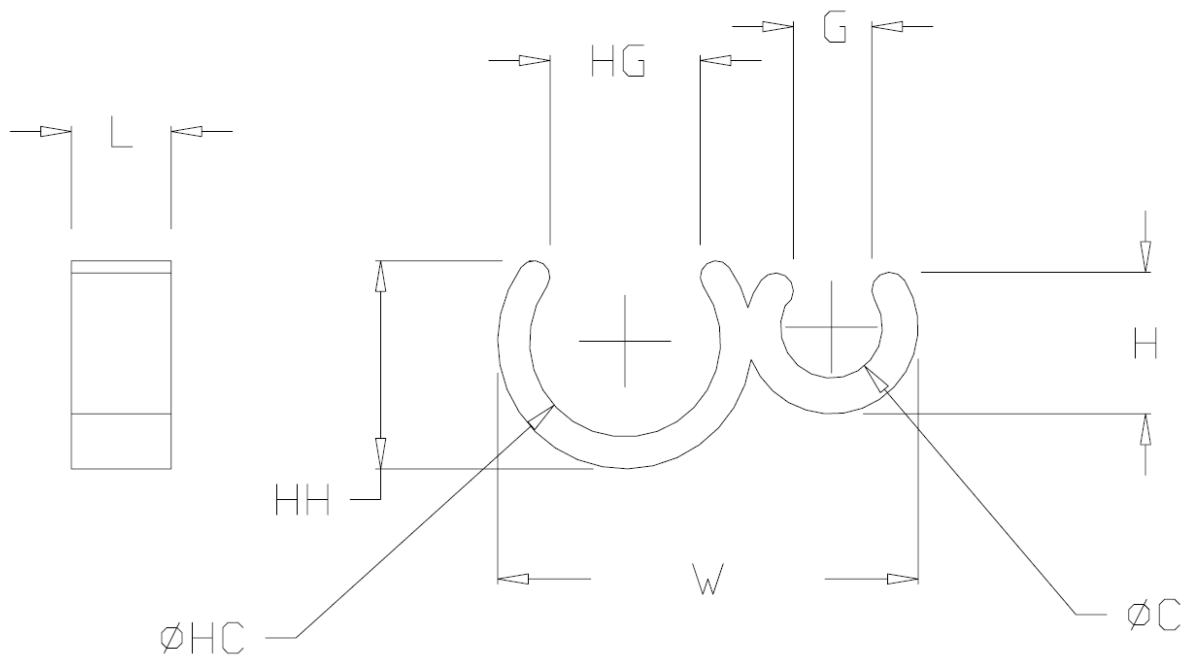
CLIP, ERGO HUB LUER, 1 CAV - .225"OD TUBE, 1 CAV - .395"OD LUER, MDPE, .3"L

Clip Material is MDPE (Blend): 50% HDPE and 50% LDPE.

Comp #	L	+/-	W	+/-	H	+/-	C	+/-	G	+/-	HC	+/-	HG	+/-	HH	+/-	Color
51228	.290	.015	(Ref only)		.290	.010	.205	.005	.165	.010	.370	.015	.300	.015	.420	.010	Natural

CLIP DRAWING:

(Not to scale)



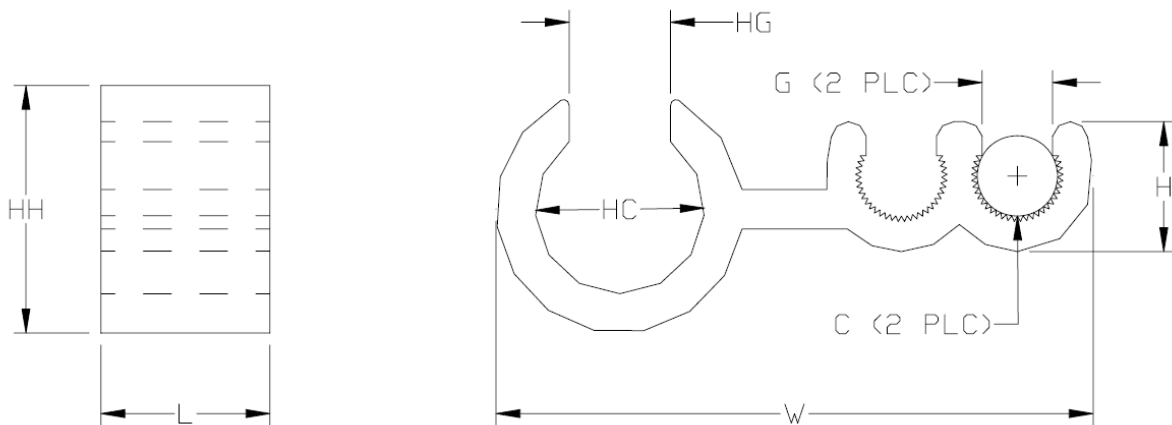
2 CAV NATURAL TORQUE DEVICE GRIDLOCK CLIP W/ EXTENDED HUB,

Clip Material for Component 51231 is MDPE (Blend): 60% HDPE and 40% LDPE.

Clip Material for Component 51313 is HDPE.

Comp #	Material	L ± .005	W ± .035	H ± .005	HH ± .005	C ± .005	G ± .005	HC ± .005	HG ± .005
51231	MDPE	.278	1.070	.225	.400	.143	.125	.288	.165
51313	HDPE	.278	1.070	.225	.400	.143	.125	.288	.165

CLIP DRAWING (Not to Scale):



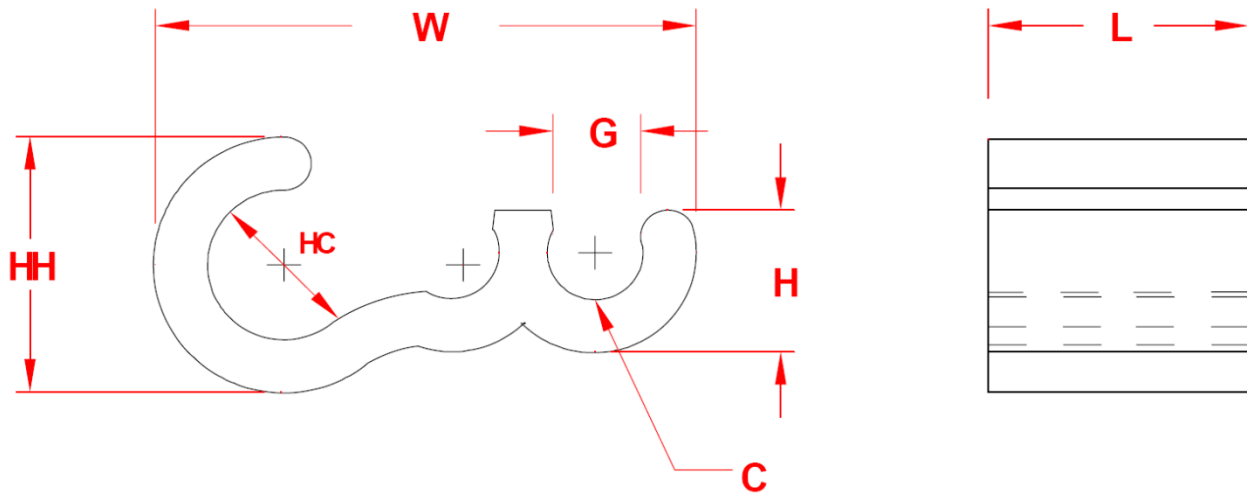
GRIDLOCK - REGISTERED TRADEMARK-US PATENT 6,405,414

CLIP, "NEPTUNE", WHITE, .3" L, INJ. MOLDED, 50/50 MDPE, FOR .152"OD TUBING

Clip Material is MDPE (Blend): 50% HDPE and 50% LDPE.

COMP #	L	W	H	C	G	HC	HH	COLOR
51261	± .020 .300	± .030 .802	± .010 .217	± .007 .143	± .010 .125	± .007 .228	± .010 .361	White

CLIP DRAWING:
(Not to scale)



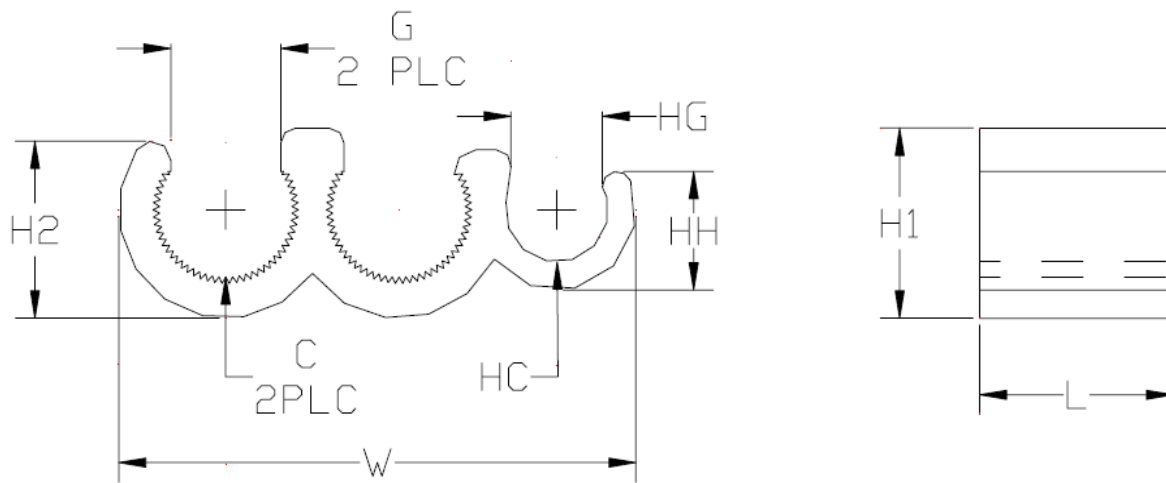
2 CAV. GRIDLOCK STRIATED CLIP W/ATTACHED HUB, 60/40 MDPE, FOR .225" OD TUBE

Clip Material is MDPE (Blend): 60% HDPE and 40% LDPE.

Comp #	L	+/-	W	+/-	H1	+/-	H2	+/-	C	+/-	G	+/-	HC	+/-	HG	+/-	HH	+/-	Color
51151	.300	.020	.800	.020	.290	.010	.270	.010	.205	.005	.170	.010	.159	.005	.141	.010	.196	.012	Natural

CLIP DRAWING:

(Not to scale)



2 CAVITY NAT'L GRIDLOCK CLIP,W/HUB, W/O EXTENSION FOR.152"OD TUBE

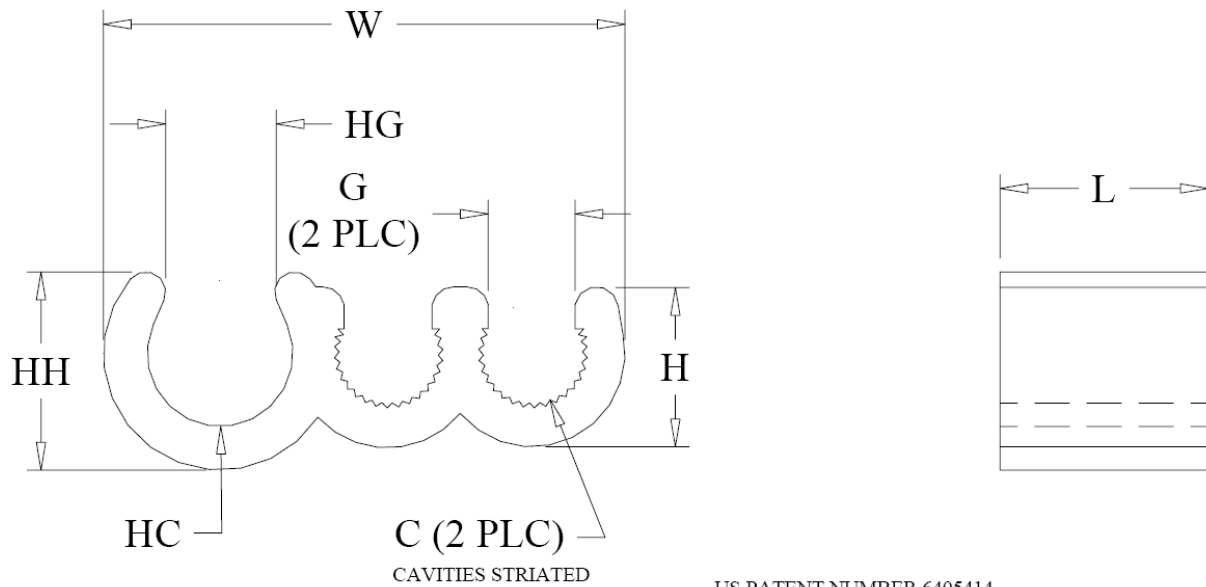
Clip Material for Component 51196 is MDPE (Blend): 60% HDPE and 40% LDPE.

Clip Material for Component 51234 is HDPE.

COMP #	Tube OD	L	W	H	C	G	HC	HG	HH
51196	.152	.300 +/- .010	.769 +/- .020	.230 +/- .010	.143 +/- .005	.125 +/- .010	.210 +/- .005	.157 +/- .010	.286 +/- .015
51234	.225	.300 +/- .010	1.050 +/- .020	.286 +/- .015	.200 +/- .010	.168 +/- .010	.334 +/- .015	.250 +/- .015	.430 +/- .015

CLIP DRAWING:

(Not to scale)



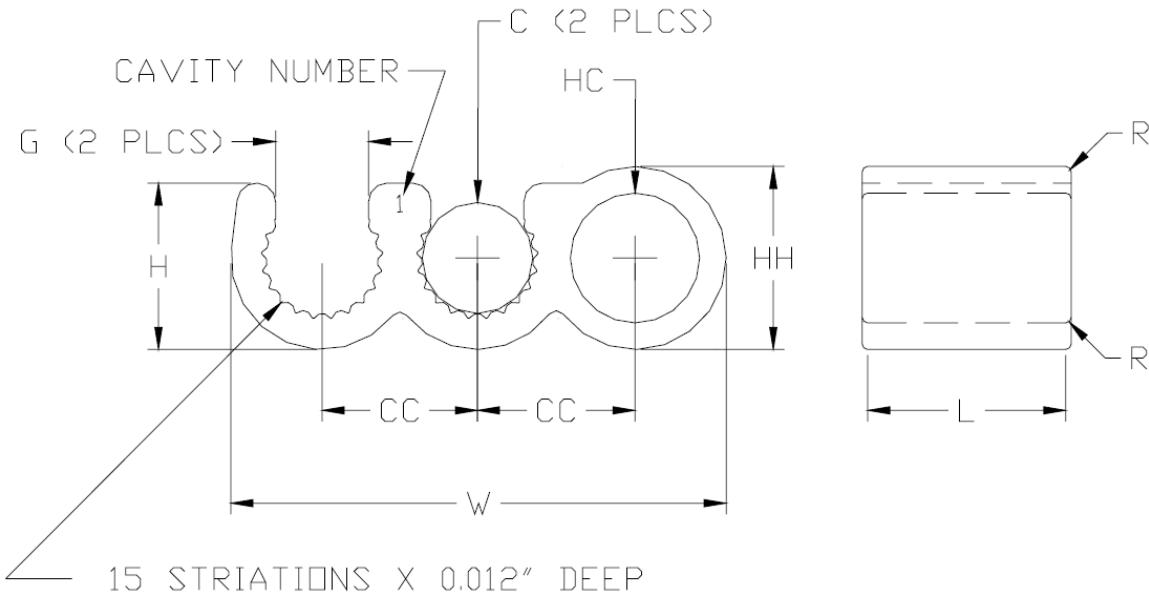
2 CAV, NAT'L, GRIDLOCK STRIATED CLIP, W/ 1 CLOSED .233" CAV, 60/40 MDPE

Clip Material is MDPE (Blend): 60% HDPE and 40% LDPE.

Comp #	L ± .010	W ± .015	H ± .010	C ± .015	G ± .010	HC ± .005	HH ± .010
51222	.510	.900	.296	.200	.168	.233	.330

CLIP DRAWING (not to scale):

Note: Striations illustrated for representative purposes.

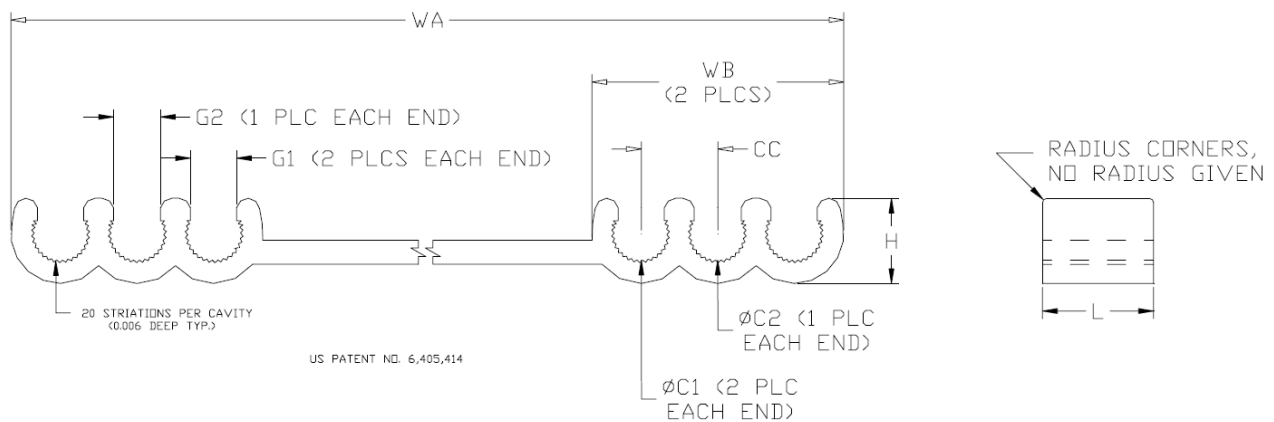


6 CAV GRIDLOCK STRAP CLIP, 60/40 MDPE, TO FIT .152" OD TUBE

Clip Material is MDPE (Blend): 60% HDPE and 40% LDPE.

Comp #	L +/- .020	WA +/- .050	WB +/- .015	H +/- .010	C1 +/- .005	C2 +/- .005	G1 +/- .005	G2 +/- .005	CC +/- .005
51198	.375	4.00	.690	.230	.140	.143	.115	.121	.210
51199	.375	3.00	.690	.230	.140	.143	.115	.121	.210
51201	.375	3.50	.690	.230	.140	.143	.115	.121	.210

CLIP DRAWING (Not to scale):



NOTES:

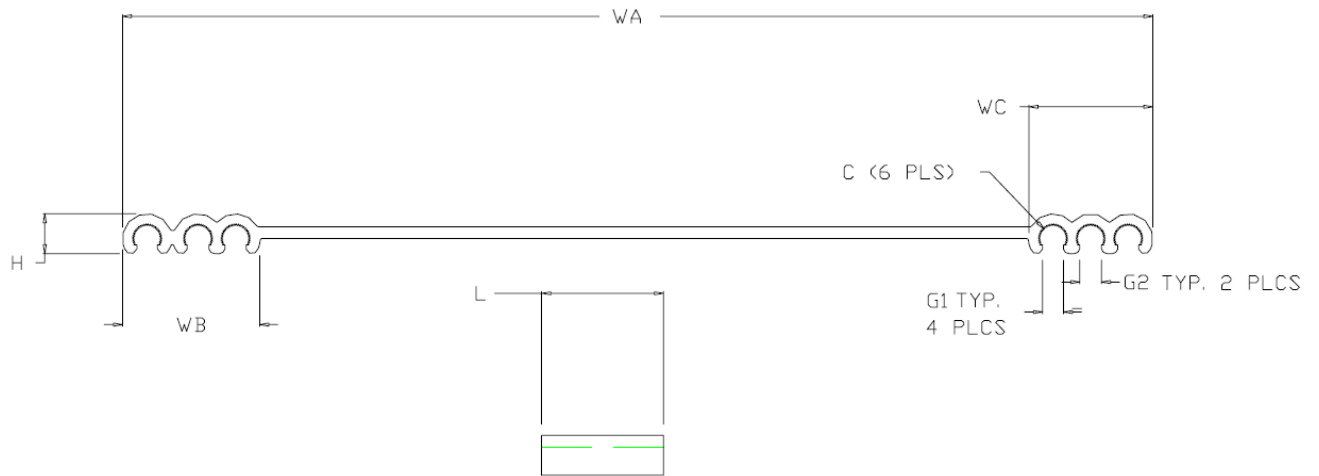
C1 AND G1 ARE (2) OUTER CAVITIES EACH END OF CLIP.
C2 AND G2 IS CENTER CAVITY AT EACH END OF CLIP.

6 CAV NAT'L GRIDLOCK EXTENDED STRAP CLIP, 5.708"W X .675"L,MDPE,FOR .152"OD

Clip Material is MDPE (Blend): 60% HDPE and 40% LDPE.

Comp #	L	WA	WB	WC	H	C	G1	G2	Color
51250	+/- .020 .675	+/- .050 5.708	+/- .010 .763	+/- .010 .689	+/- .010 .215	+/- .005 .143	+ .010/- .005 .115	+ .010/- .005 .121	Natural

CLIP DRAWING (not to scale):

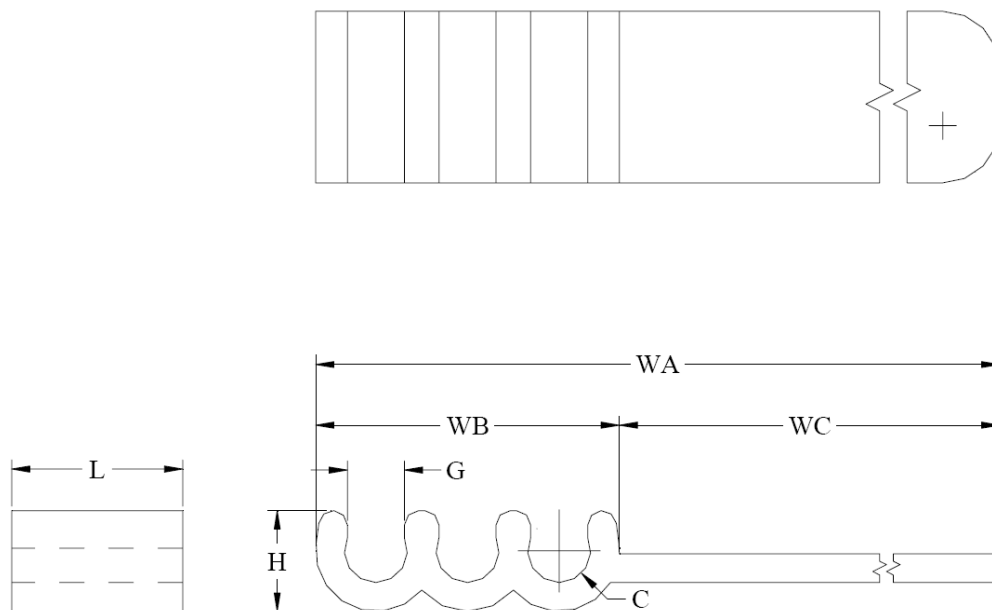


3 CAV NAT'L LABEL CLIP W/LBL EXT, 50/50MDPE

Clip Material is MDPE (Blend): 50% HDPE and 50% LDPE.

Comp															
#	L	+/-	WA	+/-	WB	+/-	WC	+/-	H	+/-	C	+/-	G	+/-	Color
51044	.375	.020	3.172	.010	.695	.010	2.477	.040	.220	.010	.138	.005	.125	.010	Natural
51112	.375	.020	3.172	.030	.885	.025	2.287	REF	.290	.010	.205	.005	.175	.010	Natural
51173	.375	.020	2.000	.020	.695	.010	1.305	.040	.230	.010	.143	.005	.125	.010	Natural

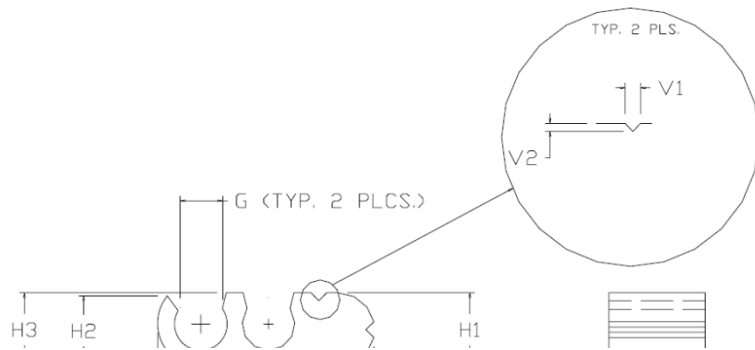
CLIP DRAWING:
(Not to scale)



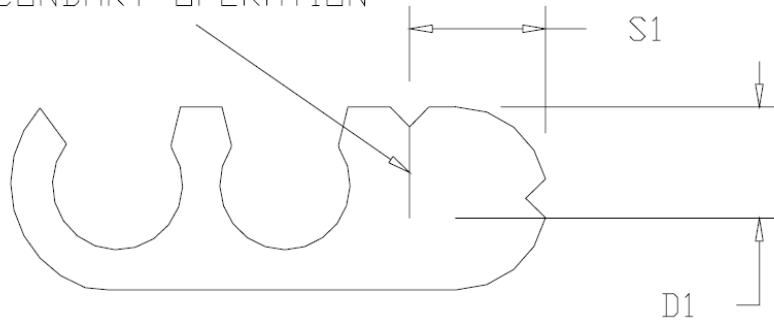
2 CAV WIRE RETENTION CLIP W/ DOUBLE V-NOTCH

Clip Material is TPV (Thermoplastic Vulcanizate).

Comp #	L	±	W	±	C	±	H1	±	H2	±	H3	±	G	±	V1	V2	D1	±	S1
51243	.250	.020	.725	.025	.142	.006	.260	.010	.230	.010	.240	.010	.115	.010	.053	.030	.18	.030	.195



SLIT IS CUT AS A SECONDARY OPERATION

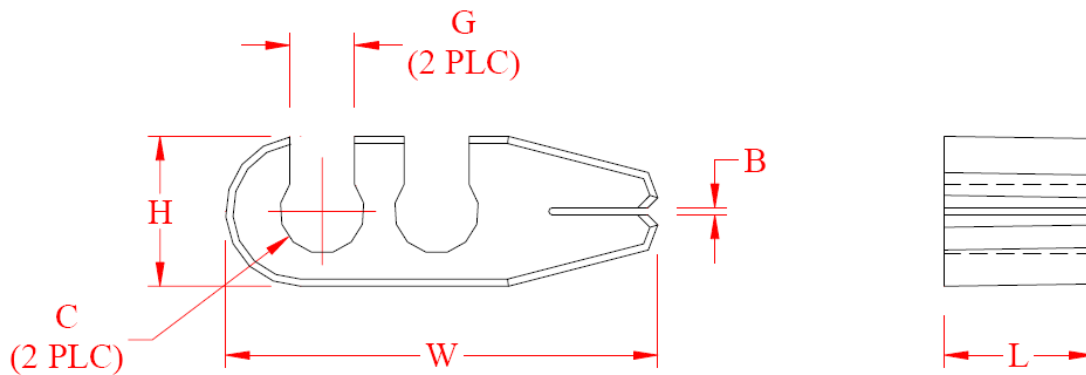


2 CAV WIRE RETENTION CLIP, INJECTION MOLDED

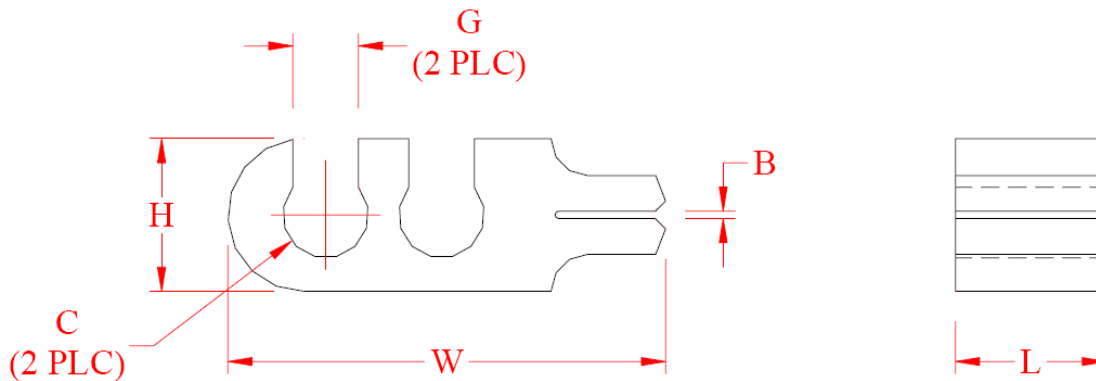
Clip Material is TPV (Thermoplastic Vulcanizate).

Comp #	See Drawing	L	Tol.	W	Tol.	C	Tol.	H	Tol.	G	Tol.	B	Tol.
51193	A	.250	±.010	.715	±.020	.144	±.005	.238	±.010	.114	±.008	.011	±.002
51194	A	.250	±.010	.715	±.020	.144	±.005	.238	±.010	.114	±.008	.022	±.002
51219	B	.250	±.010	.725	±.020	.142	±.005	.252	±.010	.109	±.005	.011	±.002
51272	A	.250	±.010	.715	±.020	.144	±.005	.238	±.010	.114	±.008	.007	±.002

Wire Retention Clip Drawing A (not to scale):



Wire Retention Clip Drawing B (not to scale):



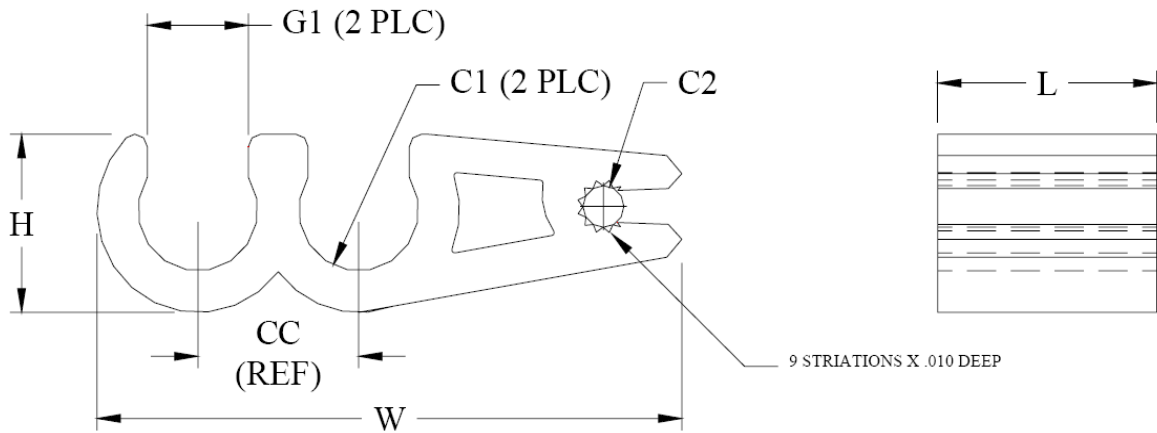
2 CAVITY REFOLD CLIP, TPV, INJECTION-MOLDED

Clip Material is TPV (Thermoplastic Vulcanizate).

COMP #	L +/- .020	W +/- .010	H +/- .010	C1 +/- .005	G1 +/- .010	C2 +/- .005
51209	.375	1.00	.300	.205	.173	.070

COMPONENT DRAWING:

(Not to scale)



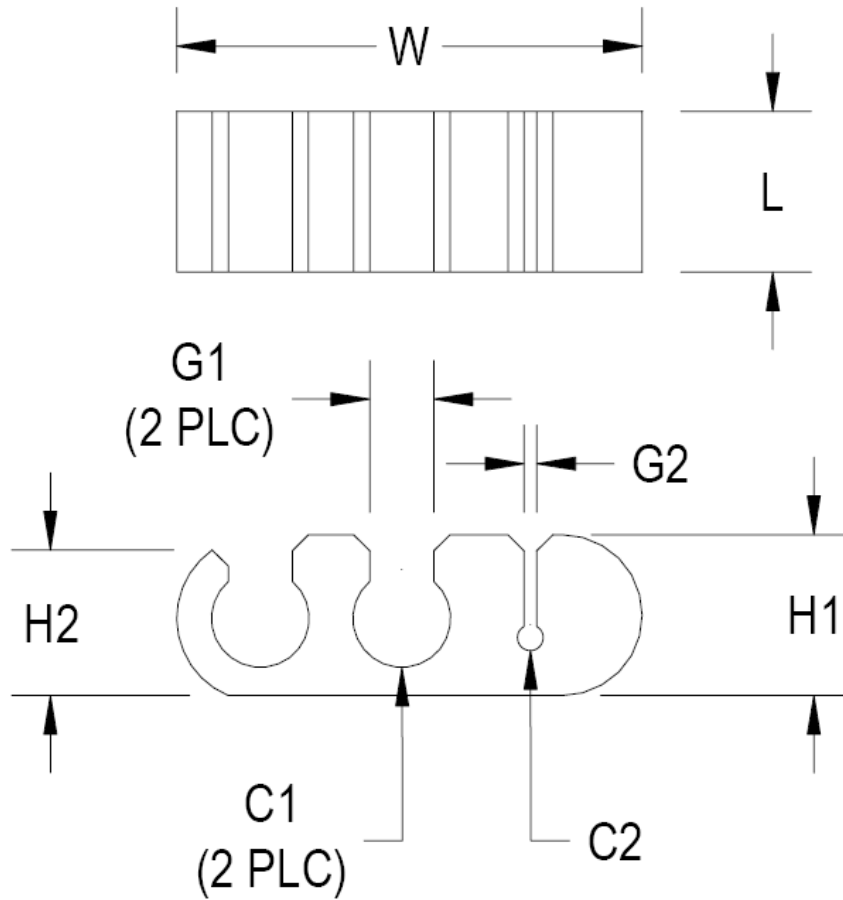
U.S. PATENT NO. 6405414

2 CAVITY WIRE RETENTION CLIP W/ SLIT, TPV, INJECTION-MOLDED

Clip Material is TPV (Thermoplastic Vulcanizate).

COMP #	L ± .02	W (REF)	H1 ± .01	H2 (REF)	C1 ± .005	C2 ± .005	G1 ± .01	G2 + .01 - .02
51202	.25	.723	.25	.22	.152	.040	.10	.02
51212	.25	.723	.25	.22	.152	.040	.10	.02

CLIP DRAWING:
(Not to scale)

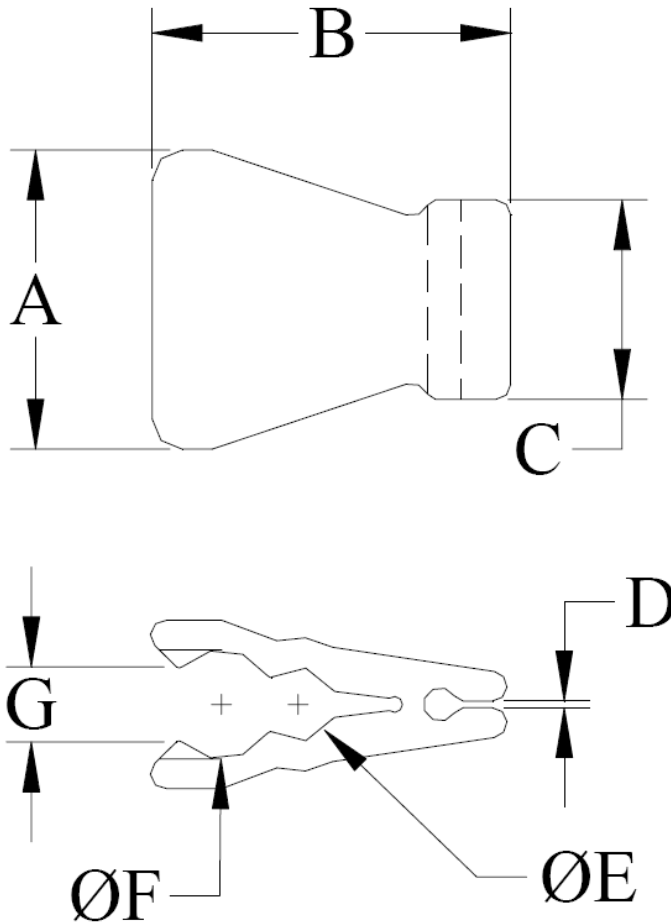


CLIP, LOOPER, FOR .152" & .225" OD TUBE

Clip Material is Polyester

Component #	A	+/-	B	+/-	C	+/-	D	+/-	E	+/-	F	+/-	G	+/-
51162	.581	Ref	.708	.008	.380	.010	.010	.004	.153	.010	.218	.010	.165	Ref

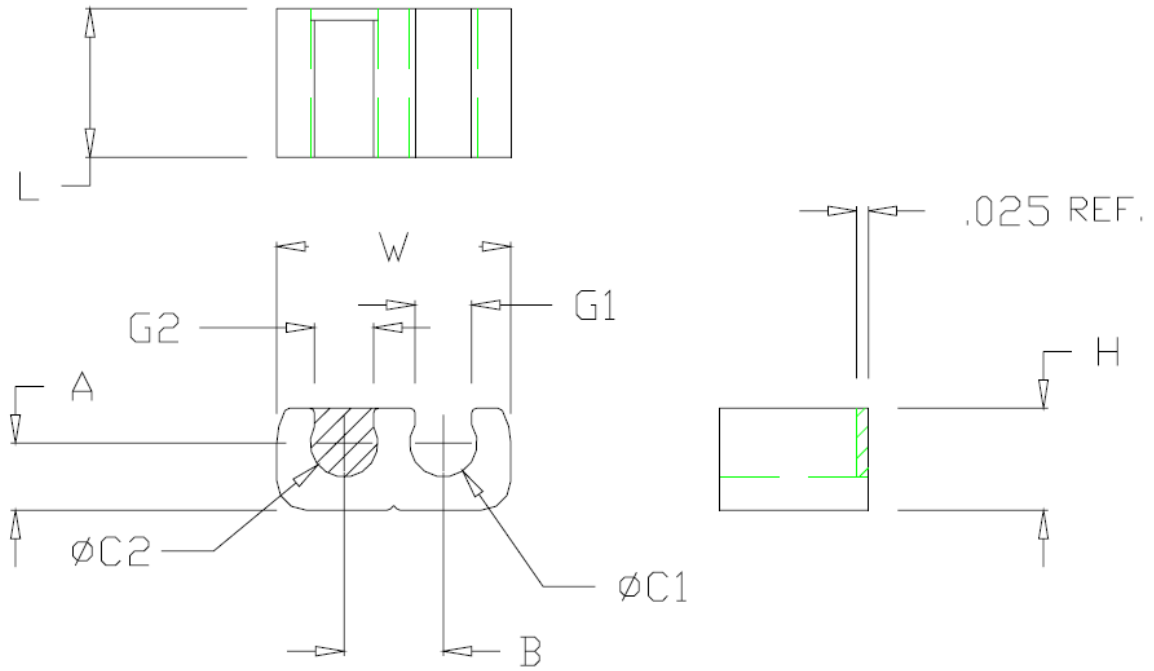
Drawing (not to scale):



2 CAV WHITE CLIP W/ WIRE STOP, HDPE

Clip Material is HDPE.

Comp #	L	±	W	±	C1	±	C2	±	H	±	G1	±	G2	±	A (Ref)	B (Ref)	Color
51239	.315	.005	.495	.005	.143	.005	.143	.005	.216	.015	.120	.005	.125	.005	.142	.210	White

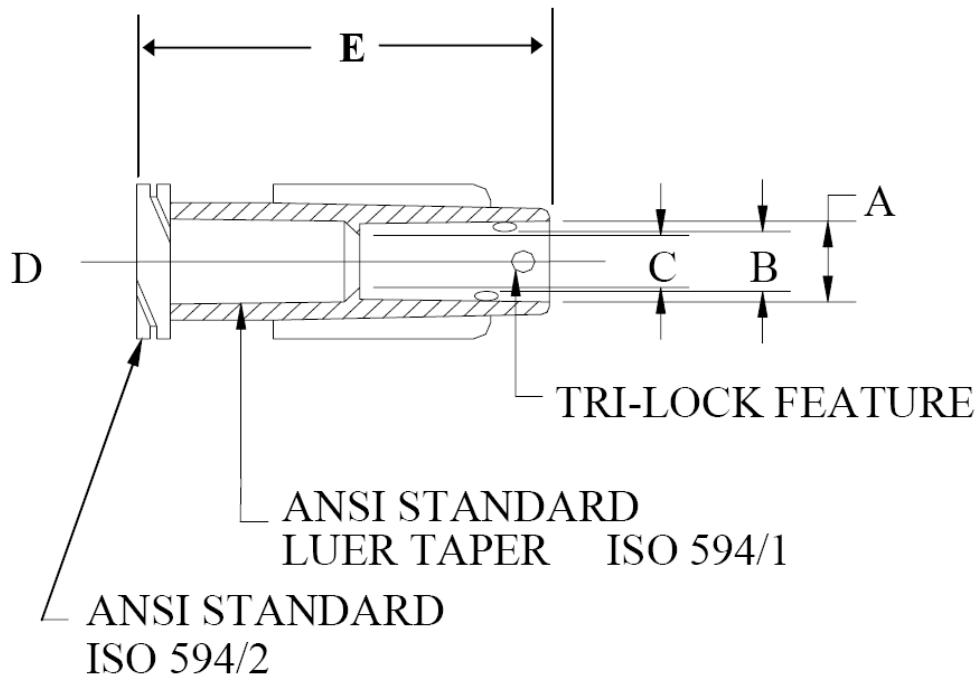


LUER, TRI-LOCK, FEMALE, PP, DIMPLED

Luer Material is Polypropylene

Comp #	A +/- .003	B Ref	C +/- .003	E Ref	Color
52016	.156	.143	.095	.740	White
52018	.156	.143	.105	.740	White
52033	.156	.143	.095	.740	Teal
52034	.156	.143	.095	.740	White
52059	.156	.143	.095	.740	Dark Blue
52065	.156	.143	.105	.740	White
52067	.156	.143	.105	.740	Clear
52083	.156	.143	.105	.740	Red
52128	.156	.143	.105	.740	Orange

Drawing (not to scale):

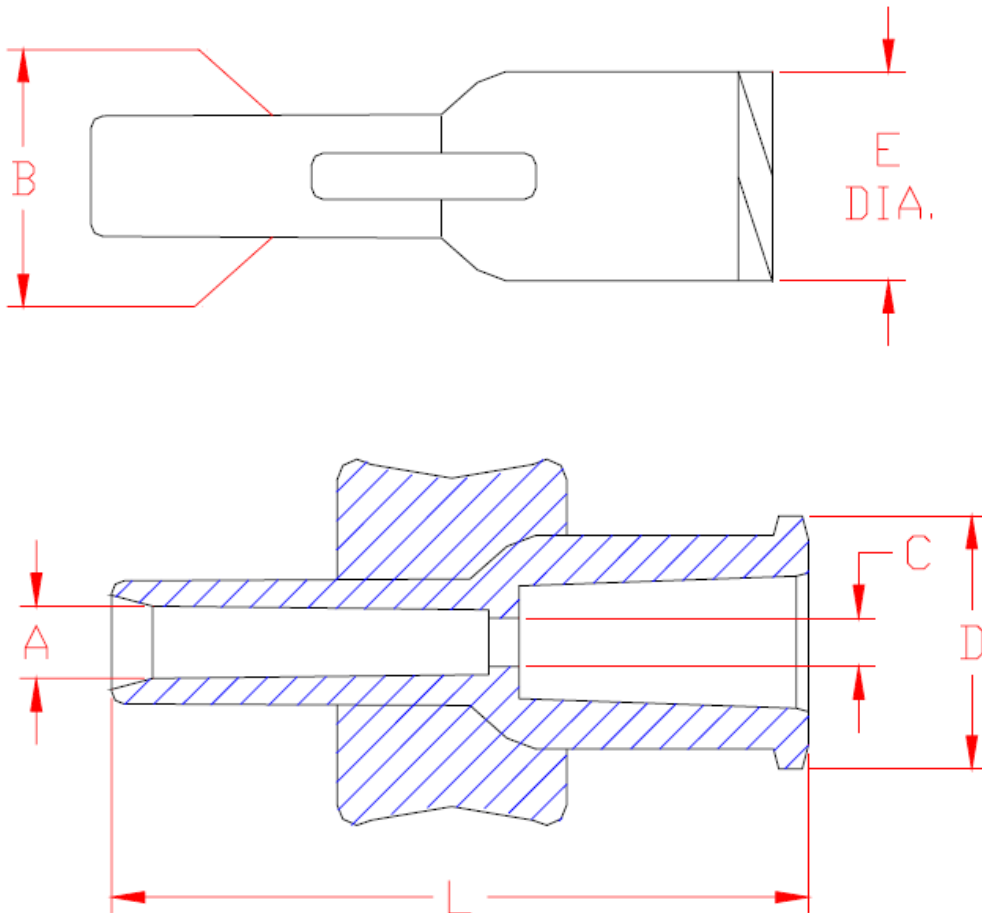


TRI-LOCK PATENT #5,263,945

FEMALE LUER LOCK ADAPTER

Comp #	Tube OD	A	+/-	B	+/-	C	+/-	D	+/-	E	+/-	L	+/-	Material
52093	.085-.088	.088/.079	.002	.150	.005	.059	.003	.306	.002	N/A	N/A	.85	.01	Polymer
52125	.085-.088	.088/.079	.002	.150	.005	.059	.003	.306	.002	N/A	N/A	.85	.01	Polycarbonate

Drawing (Not to scale) (Wing design may vary):



"J", LOCKING, TRI-LOCK, SINGLE FEED, WHITE

Component 90278 Material is LDPE.

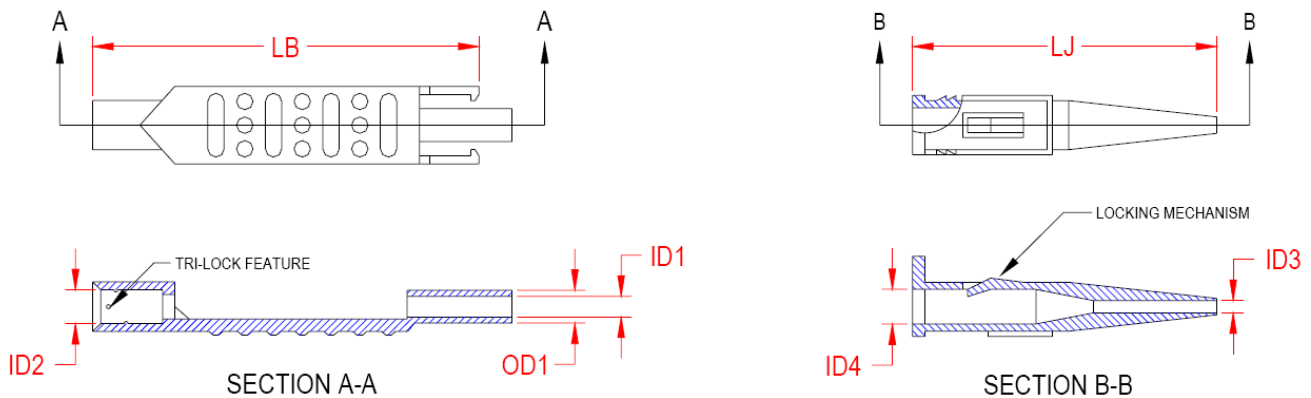
Component 90279 Material is Acrylonitrile Butadiene Styrene.

Comp #	LB	±	LJ	±	ID 1	±	OD 1	±	ID 2	±	ID 3	±	ID 4	±	Material
90278	N/A		1.457	.005	N/A		N/A		N/A		.0591		.165		LDPE
90279	1.85	.01	N/A		.0984		.1575		.1181		N/A		N/A		ABS

- USE ID'S AND OD'S AS STATED FOR INDIVIDUAL PARTS. -

ASSEMBLY DRAWING:

(Not to Scale)



SECTION A-A
 TRI-LOCK ONE
 HAND FEED - BASE
 CT COMP. NO. 90279

TRI-LOCK PATENT #5,263,945

SECTION B-B
 LOCKING MECHANISM
 TRI-LOCK ONE HAND FEED
 LOCKING "J" STRAIGHTENER
 CT COMP. NO. 90278

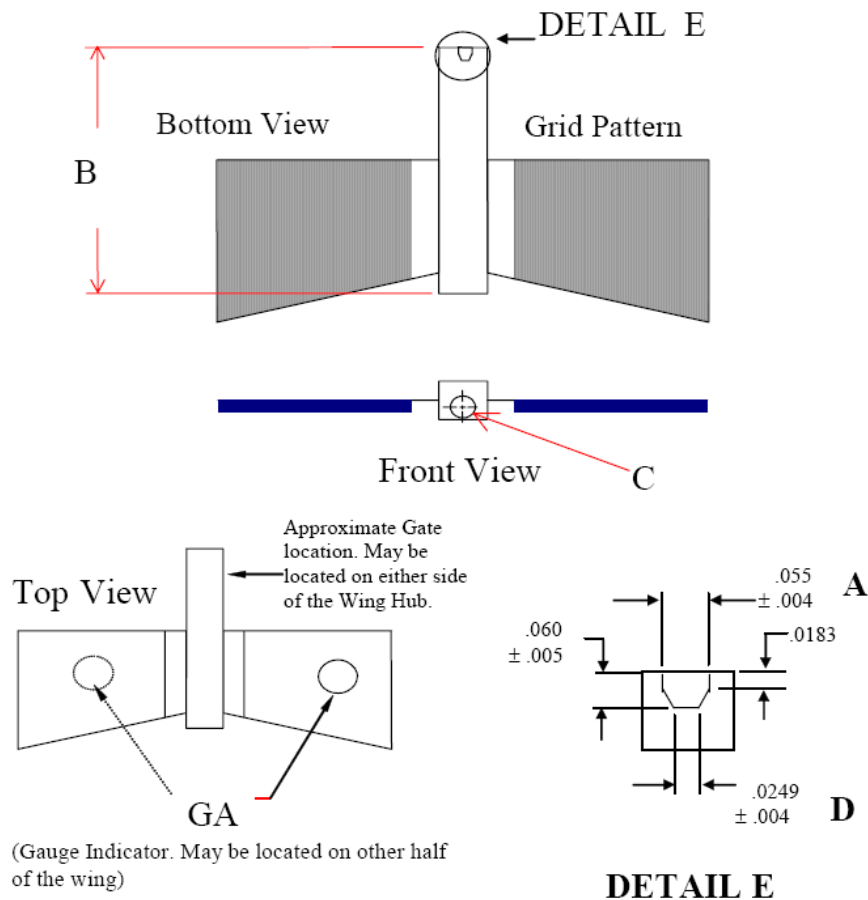
ASSEMBLED UNIT
 CT COMP. NO. 52058

INFUSION WING

Wing Material is PVC.

<u>Comp #</u>	<u>Dim. A</u>	<u>+/-</u>	<u>Dim. B</u>	<u>+/-</u>	<u>Dim. C</u>	<u>+/-</u>	<u>Dim. D</u>	<u>+/-</u>	<u>GA</u>	<u>Color</u>
53016	0.055	.004	.735	.005	.087	+ .002/- .001	.0249	.004	19	Tan
53017	0.055	.004	.735	.005	.087	+ .002/- .001	.0249	.004	20	Yellow
53018	0.055	.004	.735	.005	.087	+ .002/- .001	.0249	.004	22	Black
53019	0.055	.004	.735	.005	.087	+ .002/- .001	.0249	.004	25	Orange
53027	0.055	.004	.735	.005	.087	+ .002/- .001	.0249	.004	20	Clear
53096	0.055	.004	.735	.005	.087	+ .002/- .001	.0249	.004	21	Green
53098	0.055	.004	.735	.005	.087	+ .002/- .001	.0249	.004	19	Cream

Drawing:



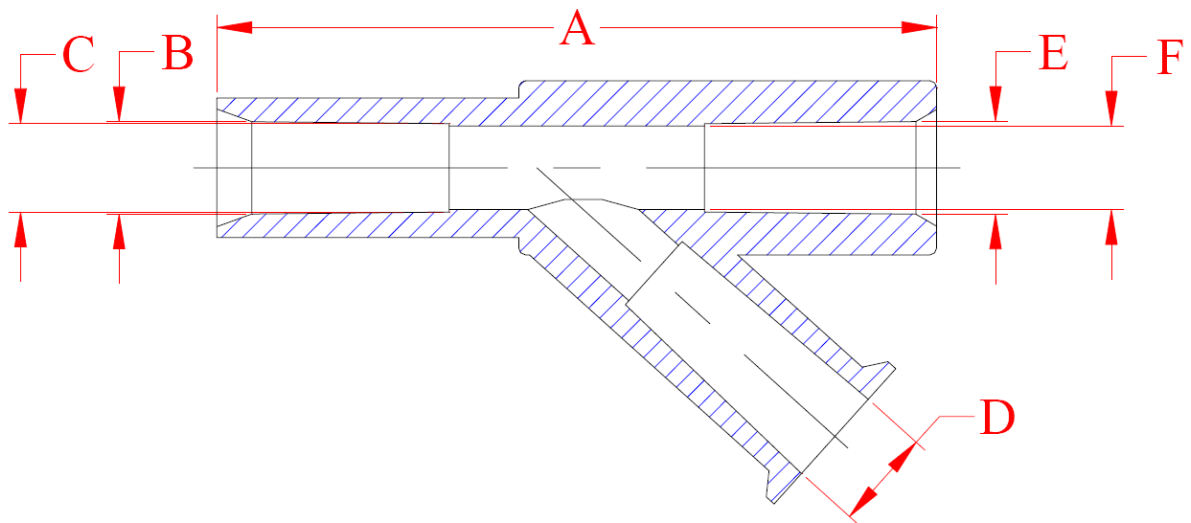
NOT TO SCALE

CONNECTOR, "Y", ASYMMETRICAL, W/ FEMALE LUER LOCK, CLEAR

Comp#	A	±	B	±	C	±	D	±	E	±	F	±	Color	Material
52042	1.220	.031	.157	.004	.150	+0.02 -0.04	.169	+0.00 -0.01	.157	.004	.150	+0.02 -0.04	Clear	ABS
52092	1.220	.020	.159	.002	.151	+0.003, -0.000	.169	.001	.159	.002	.151	+0.003, -0.000	Clear	ABS
52105	1.220	.020	.157	.004	.150	+0.002, -0.004	.169	+0.000, -0.001	.157	.004	.150	+0.002, -0.004	Clear	MABS

Y CONNECTOR with LUER ADAPTER DRAWING:

(Not to scale)



FLUSH PORT, STYROLUX, SONIC-WELDED

COMPONENT	Figure	Dim A	Dim B (Thru Hole)	Dim C (Top)
FLUSH SIDE CT # 53081	1	.540 ± .010	.153 ± .005	NA
TUBE SIDE CT # 53082	2	1.000 ± .010	.095 ± .005	.156 ± .005
ASSEMBLY CT # 53079	3	1.500 ± .020	NA	NA

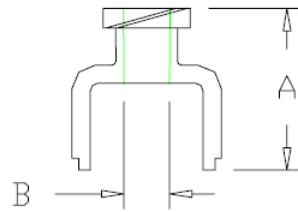


FIGURE 1

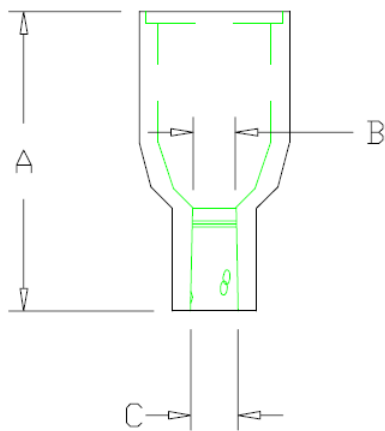


FIGURE 2

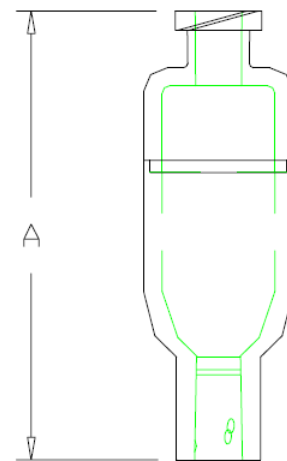


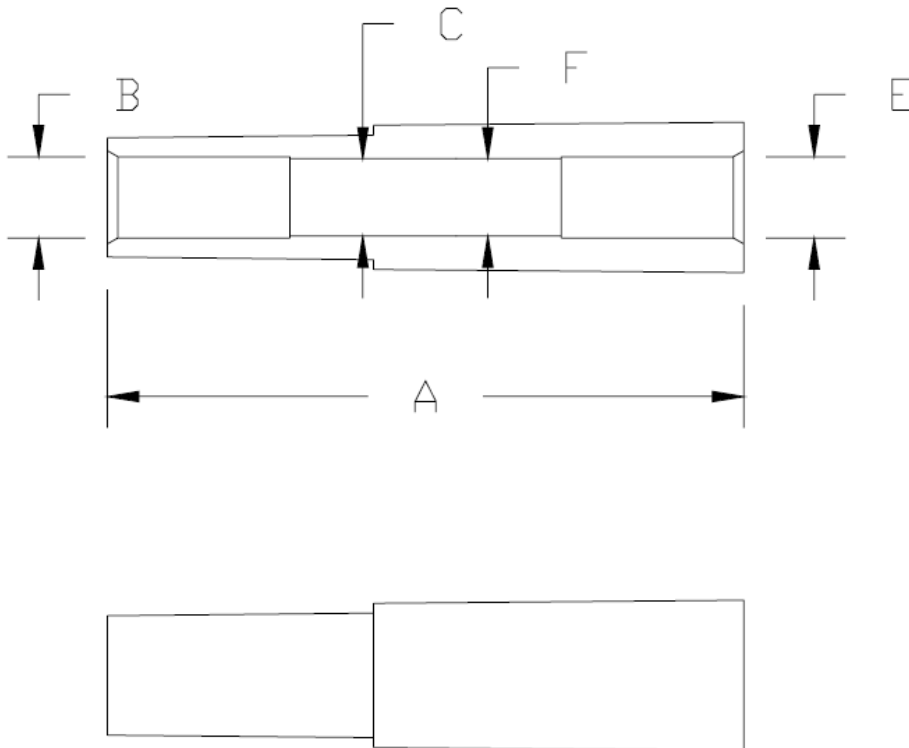
FIGURE 3

CONNECTOR, STRAIGHT, 1.2205"L, ABS, CLEAR

Connector Material is Acrylonitrile Butadiene Styrene.

Comp #	A	B	C	E	F
53083	1.2205	.1565	.149	.1565	.149

Component Drawing (not to scale):



COLLAR, HUB LOCK

Connector Material is TPV (Thermoplastic Vulcanizate).

Comp #	A +/- .005	B +/- .020	Color	Use Diagram
53052	.225	1.023	Blue	1
52068	.225	1.023	White	1
52099	.229	1.015	Natural	2
52110	.229	1.015	Blue	2

DIAGRAM 1

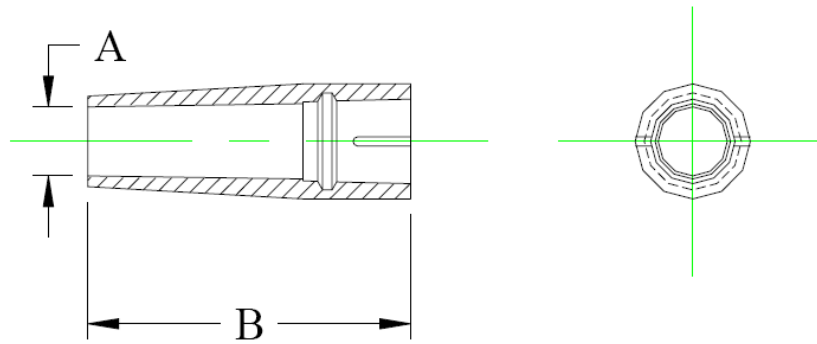
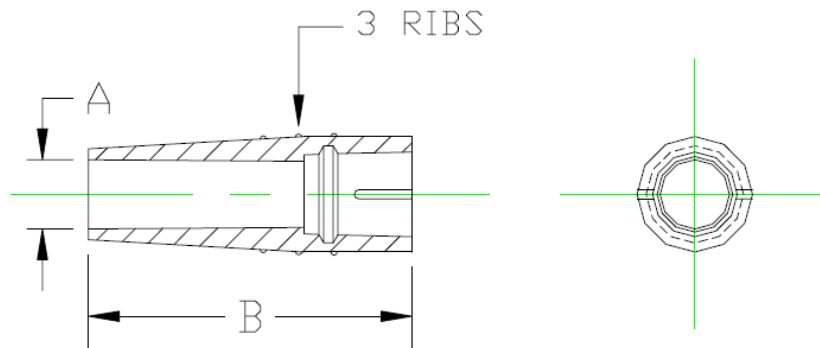


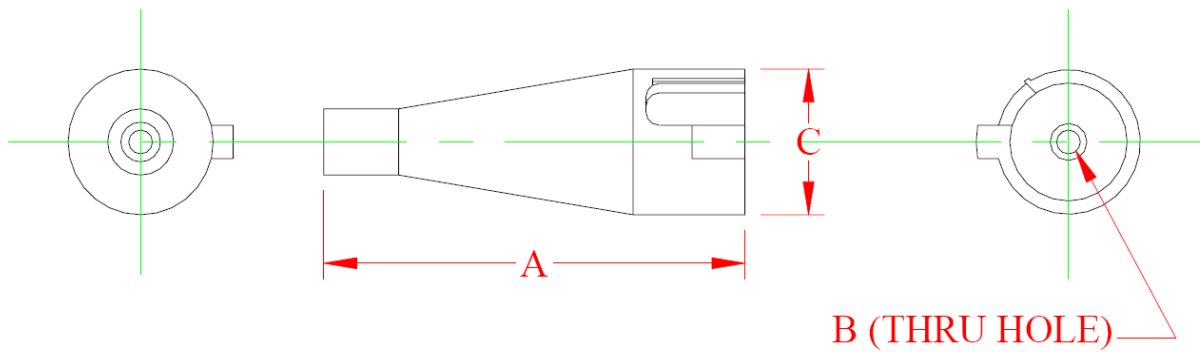
DIAGRAM 2



CONNECTOR, HAM WIRE HOOP ADAPTER, PP, TRI-LOCK, NATURAL

Connector Material is Polypropylene

<u>Comp #</u>	<u>Dim A</u>	<u>Dim B</u>	<u>Dim C</u>
53080	$1.597 \pm .005$	$0.080 \pm .005$	$0.545 \pm .005$

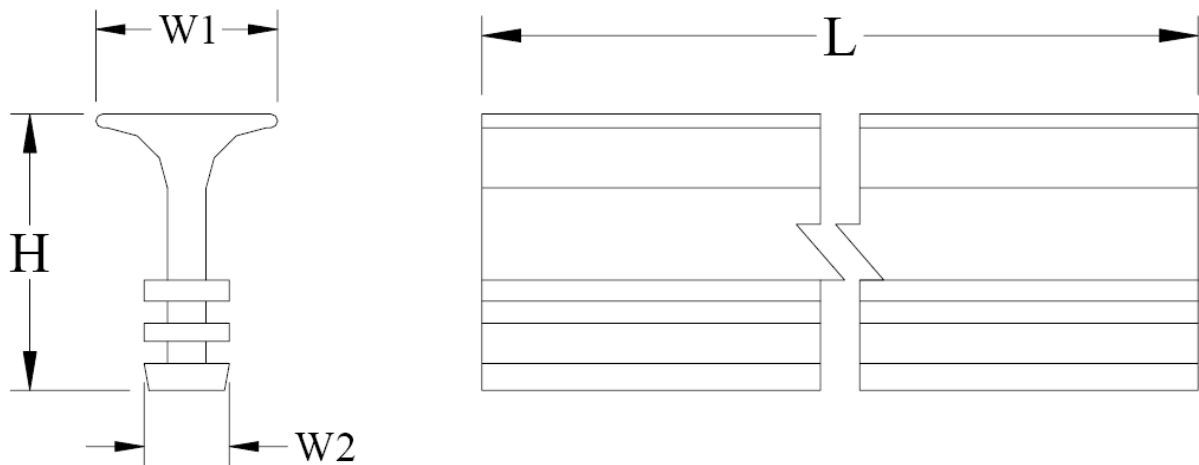


CLIP, HANDLE STOP 1, RED, 2" L X .47" W X .715" H, 60/40 MDPE

Clip Material is MDPE (Blend): 60% HDPE and 40% LDPE.

COMP #	REV	L +/- .025	W1 +/- .015	W2 +/- .005	H +/- .015
51210	A	2.00	.470	.220	.715

Component Drawing (Not to scale)

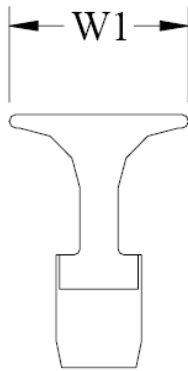


CLIP, RED, HANDLE STOP 2, .66" H X .34" L, MDPE

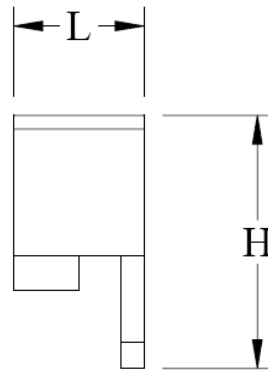
Clip Material is MDPE (Blend): 60% HDPE and 40% LDPE.

COMP #	L +/-0.010	W1 +/-0.015	W2 +/-0.005	H +/-0.015
51214	.340	.470	.224	.660

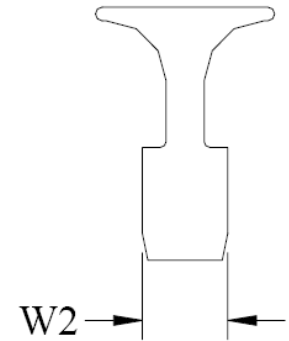
Component Drawing (Not to scale)



FRONT



SIDE



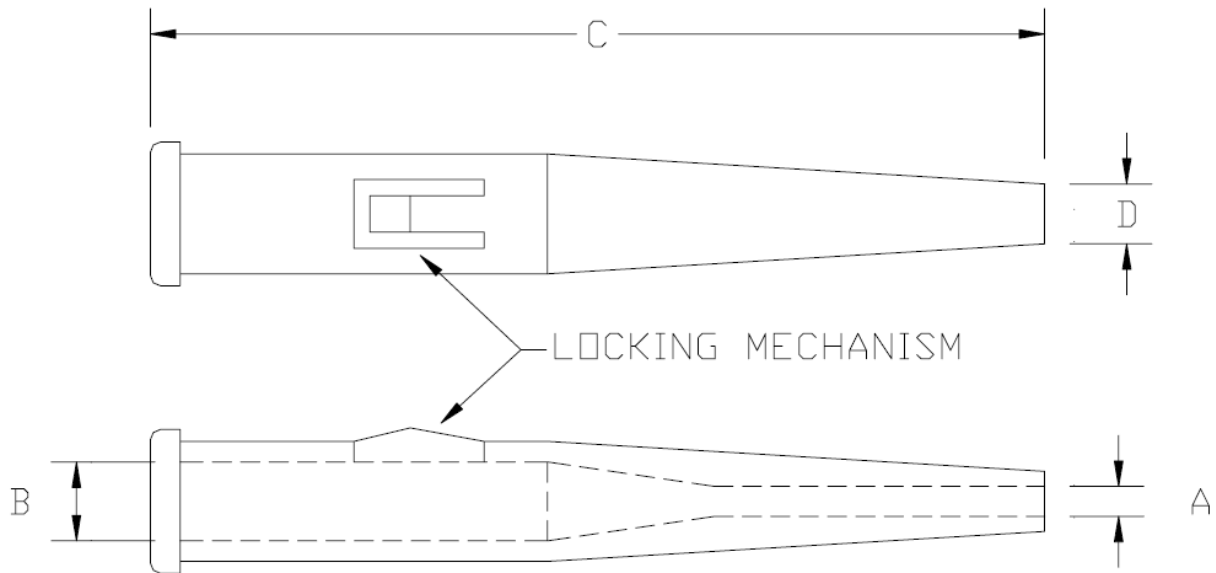
REAR

J- INTRODUCER, RETENTION, NO WINGS, LDPE, NAT'L

Clip Material is LDPE.

COMP #	A	Tol.	B	Tol.	C	Tol.	D	Tol.	Color
52051	.0591	± .003	.155	± .002	1.75	± .01	.0787	REF	White
52052	.0591	± .003	.155	± .002	1.75	± .01	.0787	REF	Green/Blue
52060	.0591	± .003	.155	± .002	1.75	± .01	.0787	REF	Lilac
52064	.0591	± .003	.155	± .002	1.75	± .01	.0787	REF	Natural
52121	.0591	± .003	.155	± .002	1.75	± .01	.0787	REF	Dark Blue
52129	.0591	± .003	.155	± .002	1.75	± .01	.0787	REF	Orange

DRAWING (not to scale):

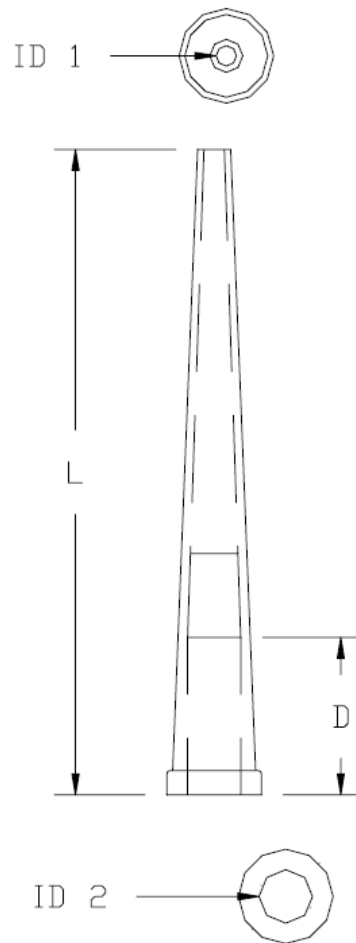


INTRODUCER, CLEAR, .058"ID, MDPE

Material is MDPE (Blend): 60% HDPE and 40% LDPE.

Comp #	L	ID 1	ID 2	D
52102	1.844	.058	.153	.450

Component Drawing (Not to scale):

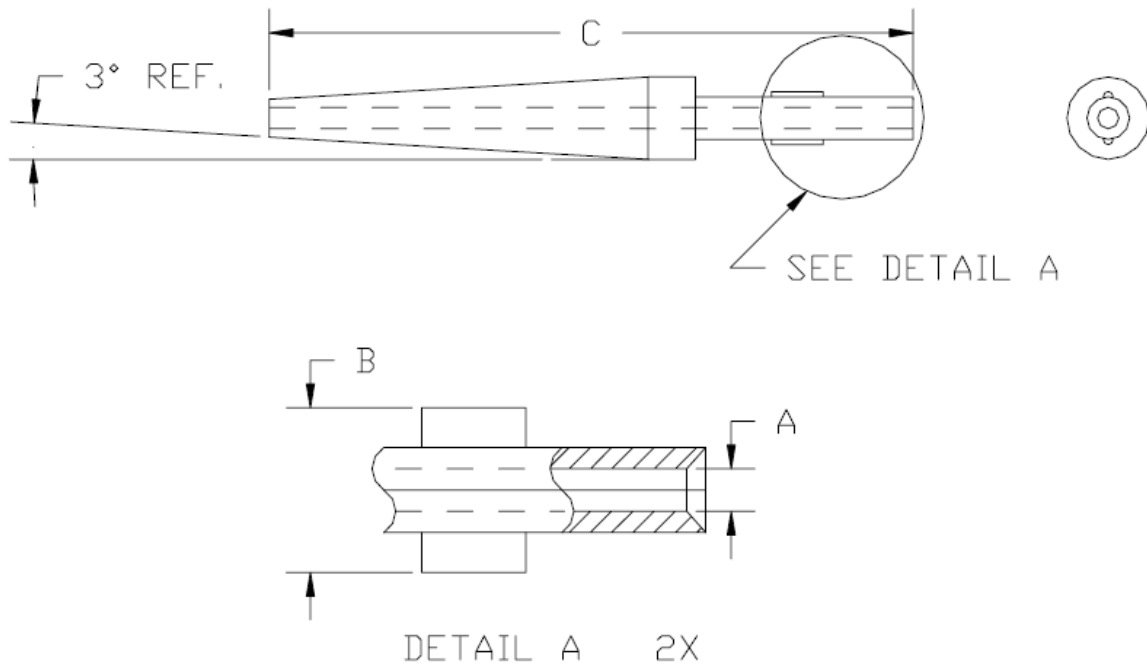


J-STRAIGHTENER, PP

Material is Polypropylene

COMP#	A ± .002	B + .006/- .003	C ± .010	Color
52028	.038	.112	1.36	Light Blue
52029	.045	.112	1.36	Orange
52030	.054	.112	1.36	Purple
52031	.068	.112	1.36	Red
52032	.045	.112	1.36	Green
52043	.045	.112	1.36	Dark Blue
52055	.054	.112	1.36	Green
52056	.045	.112	1.36	Light Blue
52130	.040	.112	1.36	Light Blue

DRAWING (not to scale):



STANDARD WALL VINYL CAPS

Component #	ID - Measure with:	Length (Ref)
52134	.098" Pin Gage	0.5"
53053	.152" Pin Gage	0.5"
53084	.225" Pin Gage	1.0"
53099	.110" Pin Gage	0.5"
53109	.080" Pin Gage	0.5"
53112	.250" Pin Gage	1.0"

COMPONENT DRAWING:

(Not to scale)

